

# FusionSolar Residential Smart PV Quick Guide

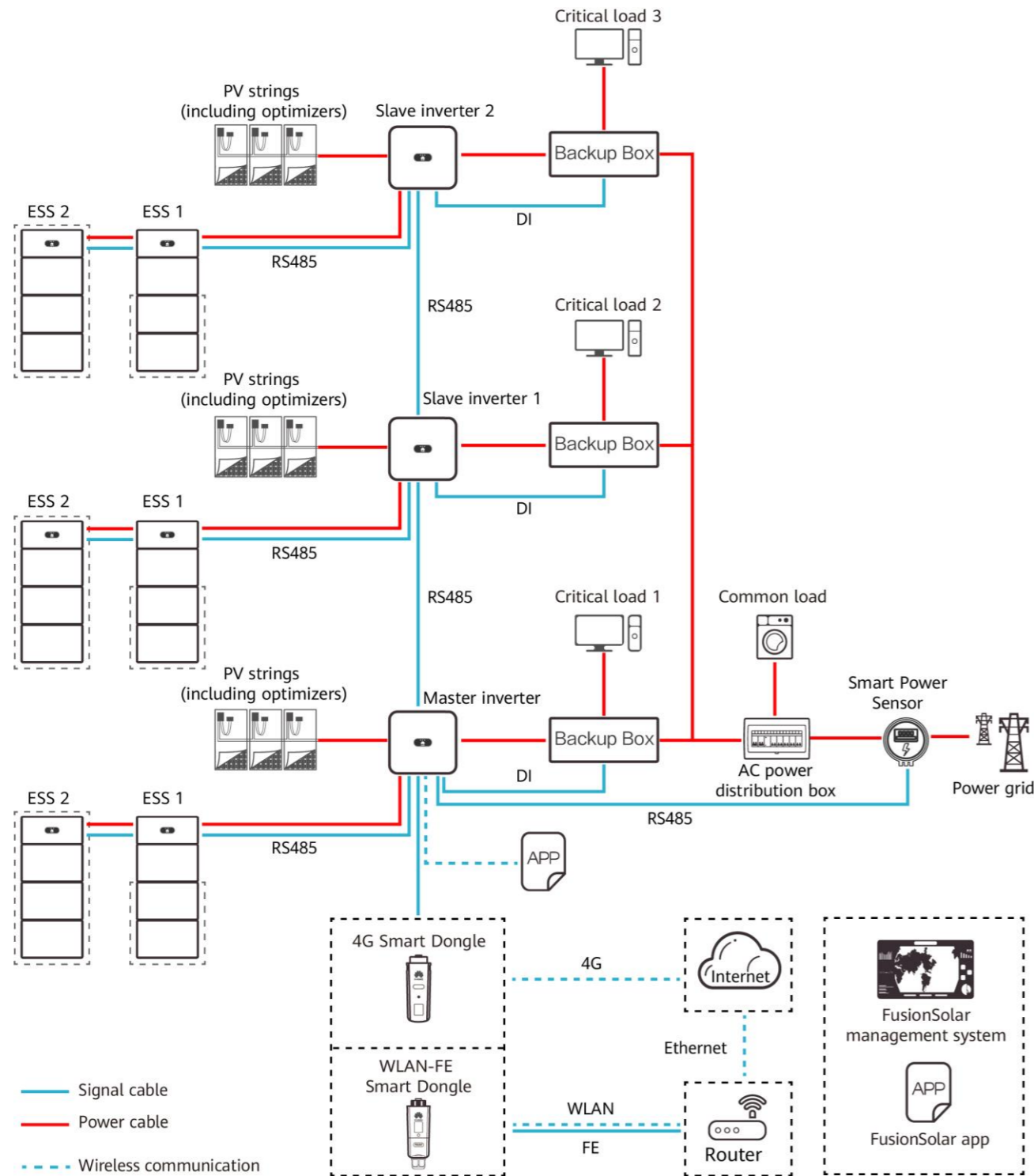
## (Single-phase PV+Storage Scenario and Smart Dongle Networking)

Issue: 01  
Date: 2023-06-13



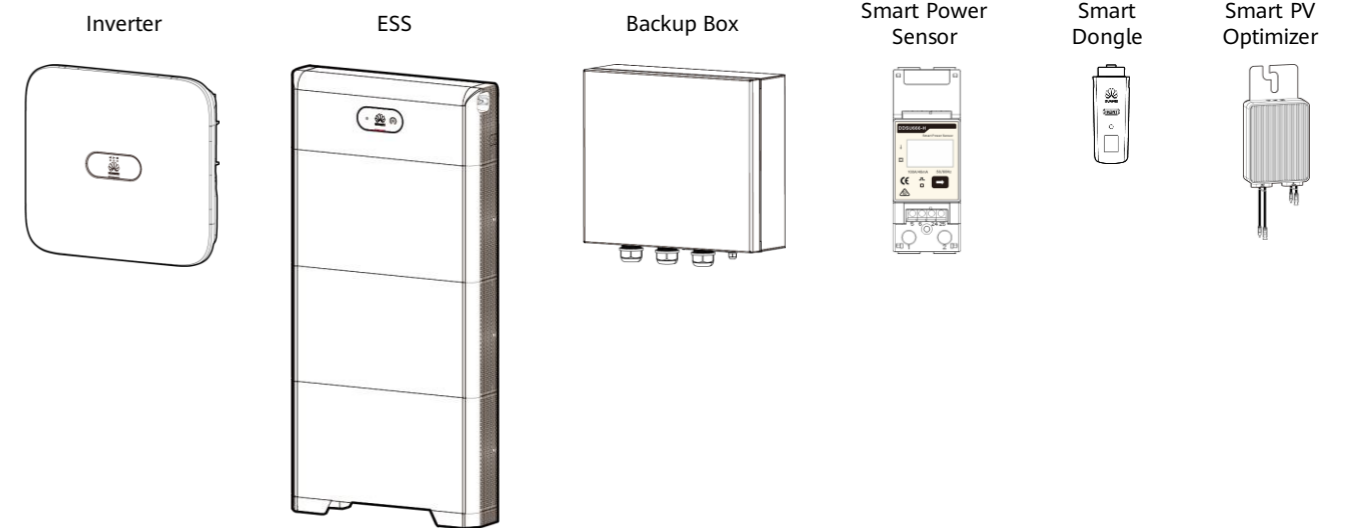
### 1

## Networking



### 2

## Product Overview



Component	Model	Description
Inverter (master and slave)	SUN2000-2KTL-L1 SUN2000-3KTL-L1 SUN2000-3.68KTL-L1 SUN2000-4KTL-L1 SUN2000-4.6KTL-L1 SUN2000-5KTL-L1 SUN2000-6KTL-L1	A maximum of three inverters can be cascaded.
Energy storage system (ESS)	LUNA2000-(5-30)-S0	<ul style="list-style-type: none"> <li>5 kWh per battery module, system capacity up to 30 kWh when two ESSs are cascaded</li> <li>If there is only one ESS, it must be connected to the master inverter.</li> </ul>
Backup Box	Backup Box-B0	<ul style="list-style-type: none"> <li>AC input voltage range: 198–253 V</li> <li>If there is only one Backup Box, it must be connected to the master inverter.</li> </ul>
Smart Power Sensor	DDSU666-H	<ul style="list-style-type: none"> <li>The Smart Power Sensor must be connected to the master inverter.</li> <li>It connects to the inverter over RS485 for output power management and power limiting.</li> </ul>
Smart Dongle	SDongleA-03 (4G) SDongleA-05 (WLAN-FE)	<ul style="list-style-type: none"> <li>The Smart Dongle must be connected to the master inverter.</li> <li>It connects to the management system and performs power scheduling.</li> </ul>
Smart PV Optimizer	SUN2000-450W-P2 SUN2000-600W-P	SUN2000-600W-P: Long and short input cables are available to connect to PV modules with different cable lengths.

#### NOTE

- The information in this document is subject to change due to version upgrade or other reasons. Every effort has been made in the preparation of this document to ensure accuracy of the contents, but all statements, information, and recommendations in this document do not constitute a warranty of any kind, express or implied.
- For details about the solution components, installation, and cable connections, see the corresponding user manuals and quick guides.
- The cable colors involved in this document are for reference only. Select cables in accordance with local cable specifications.

# FusionSolar Residential Smart PV Quick Guide

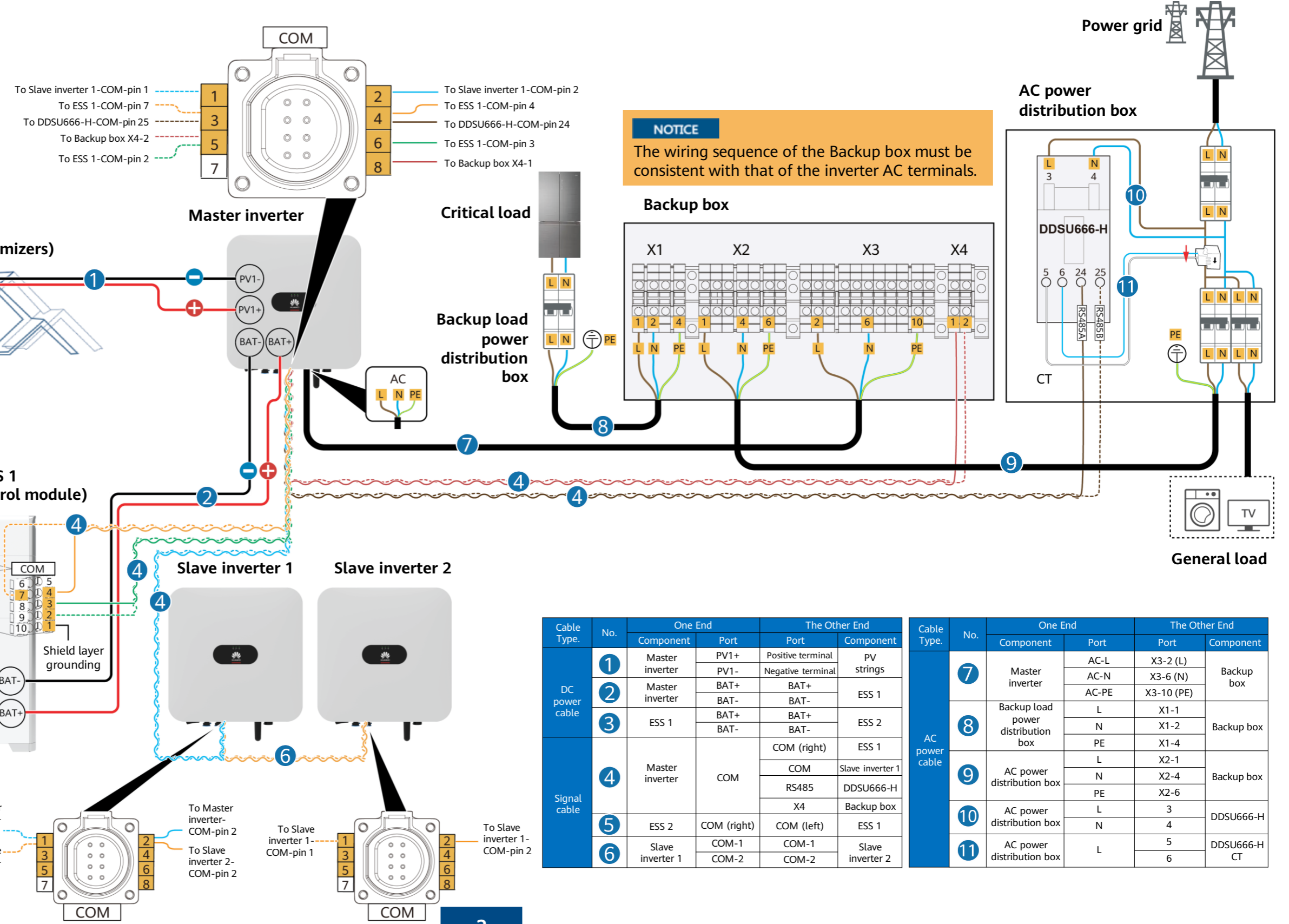
## (Single-phase PV+Storage Scenario and Smart Dongle Networking)



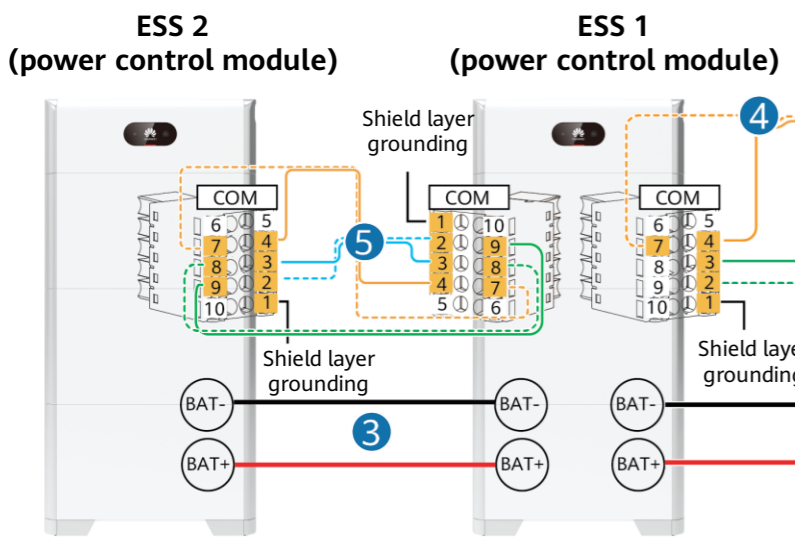
### 3 Cable Connections

**DANGER**  
Before connecting cables, ensure that all switches are OFF. Otherwise, electric shocks may occur.

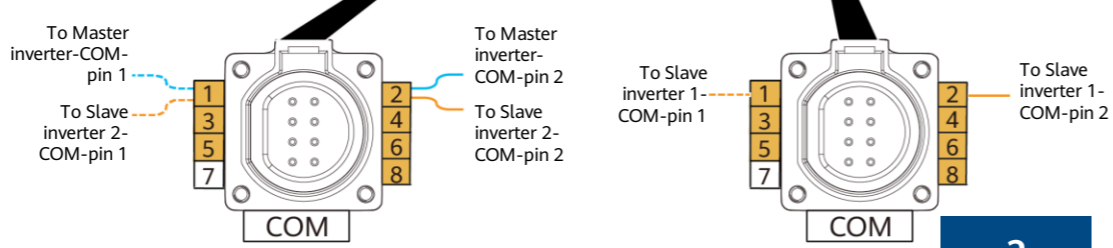
**NOTICE**  
Signal cables must be outdoor shielded twisted pair cables.



**NOTICE**  
The wiring sequence of the Backup box must be consistent with that of the inverter AC terminals.



**NOTICE**  
Connect other cables to slave inverters by referring to the connection method for the master inverter.



Cable Type	No.	One End		The Other End	
		Component	Port	Port	Component
DC power cable	1	Master inverter	PV1+ PV1-	Positive terminal Negative terminal	PV strings
	2	Master inverter	BAT+ BAT-	BAT+ BAT-	ESS 1
	3	ESS 1	BAT+ BAT-	BAT+ BAT-	ESS 2
Signal cable	4	Master inverter	COM	COM (right) COM RS485	ESS 1 Slave inverter 1 DDSU666-H
	5	ESS 2	COM (right)	COM (left)	ESS 1
	6	Slave inverter 1	COM-1 COM-2	COM-1 COM-2	Slave inverter 2

Cable Type	No.	One End		The Other End	
		Component	Port	Port	Component
AC power cable	7	Master inverter	AC-L AC-N AC-PE	X3-2 (L) X3-6 (N) X3-10 (PE)	Backup box
	8	Backup load power distribution box	L N PE	X1-1 X1-2 X1-4	Backup box
	9	AC power distribution box	L N PE	X2-1 X2-4 X2-6	Backup box
	10	AC power distribution box	L N	3 4	DDSU666-H
	11	AC power distribution box	L	5 6	DDSU666-H CT

# FusionSolar Residential Smart PV Quick Guide

## (Single-phase PV+Storage Scenario and Smart Dongle Networking)



### 4 System Commissioning

#### App-based Deployment Procedure

- Download and install the FusionSolar app
- ↓
- Sign up as an installer (optional, required for initial registration)
- ↓
- Enter setup wizard
- ↓
- Check the device status

#### Downloading and Installing the FusionSolar App

- Search for FusionSolar in the app store to download the app.
- Scan the QR code below to download the app.

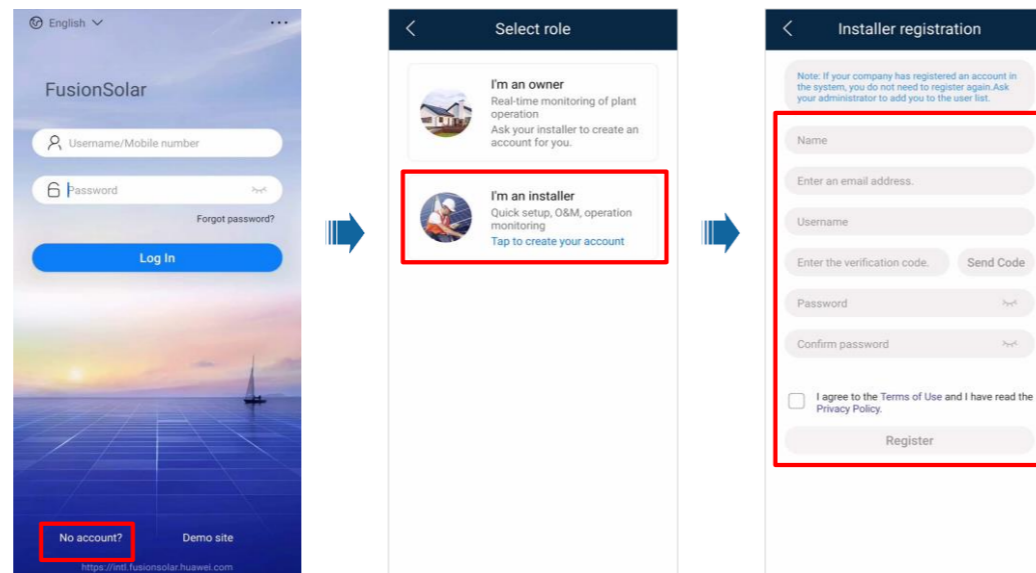


FusionSolar

#### Installer Registration

##### Initial registration

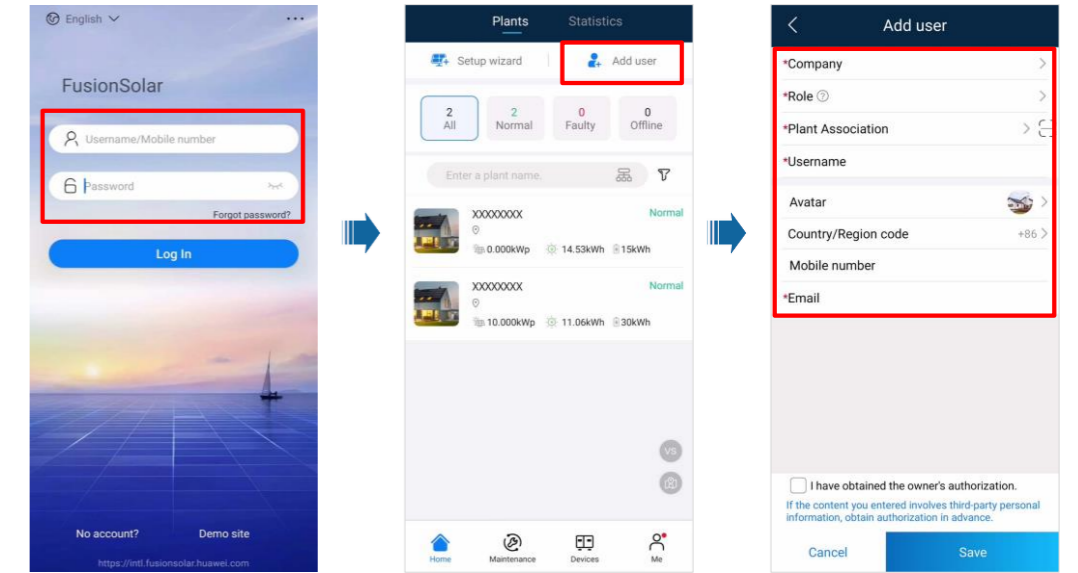
Create the first installer account, and generate a domain named after the company.



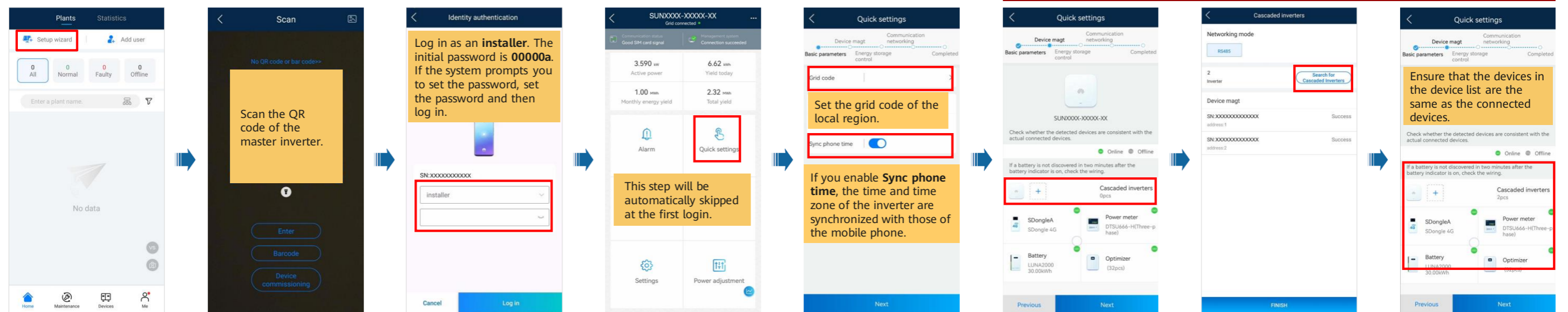
Or

##### Non-initial registration

To create multiple installer accounts for a company, log in to the FusionSolar app and tap **New user** to create an installer account.



#### Setup Wizard (Connecting to the Inverter WiFi for Commissioning)



# FusionSolar Residential Smart PV Quick Guide

## (Single-phase PV+Storage Scenario and Smart Dongle Networking)



### Set the energy storage working mode.

Working mode settings

Maximum self-consumption  
Fully fed to grid

Select an energy storage working mode.

You can tap ? on the screen for more information.

### Set the communication networking.

WLAN communication

4G communication

FE communication

Or

Or

Select the router you want to connect and enter the router password.

By default, APN mode is set to **Automatic**. If you cannot access the Internet in the **Automatic** mode, set this to **Manual**. In this case, set the parameters related to the SIM card with the information obtained from the carrier.

If the Ethernet parameter is displayed, the network cable is not connected. Reconnect the network cable.

Ethernet

### Add a plant.

Creating Plant

Add plant

Add plant

Basic info

Country/Region

Company

Plant name

Total string capacity(kWp)

Grid connection date

Plant address

Plant time zone

Contact Person

Submit

### Create an owner account.

Plants

Add user

Add user

Company

Role: Owner

Plant Association

Username

Avatar

Country/Region code

Mobile number

Email

Save

### Checking the Device Status

Plants

plant001

plant002

plant001

Weather

0.00 kWh Yield today

0.00 kWh Revenue today

0.00 kWh Yield this month

12.01 kWh Yield this year

12.01 kWh Total yield

PV

Battery

Grid

Load

# FusionSolar Residential Smart PV Quick Guide

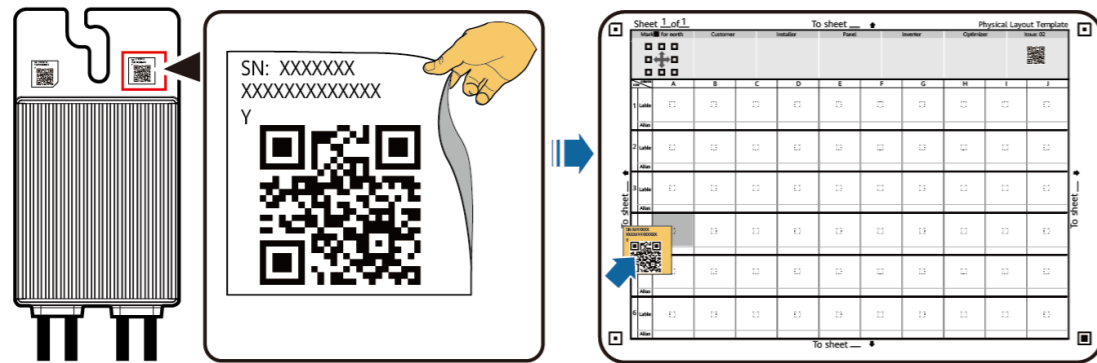
## (Single-phase PV+Storage Scenario and Smart Dongle Networking)



### 5 Physical Layout of Smart PV Optimizers

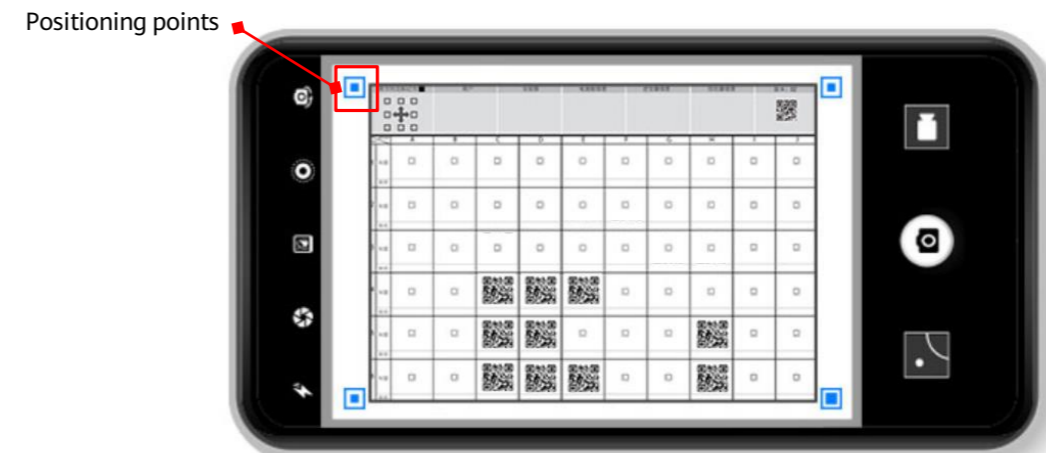
#### Attaching SN Labels

Remove the SN labels from optimizers and attach them to the physical layout template based on the actual positions of the optimizers in the plant.



#### Taking a Photo of the Physical Layout Template

Ensure that the four positioning points on the template are within the frame.



#### Generating a Physical Layout on the App

**Enter the Plant Layout screen.**

**Upload the template and generate a layout.**

If some QR codes cannot be identified or the plant layout needs to be adjusted, log in to the FusionSolar management system WebUI. For details, see "Creating a Physical Layout on the WebUI Manually."

# FusionSolar Residential Smart PV Quick Guide

## (Single-phase PV+Storage Scenario and Smart Dongle Networking)



### Generating a Physical Layout on the WebUI Automatically

**Select the target PV plant on the home page.**

Plant name:  Plant name Region:   
 Grid connection date:  Start date  End date   
 Status  Plant Image  Plant Name   
   **407-GJC-TEST**

**Click the Layout tab.**

Overview **Layout** Report Management  
 station001  
 0.00 kWh Yield today

**Upload the template and generate a layout.**

Plant Layout   
 Plant Layout   
 IMG\_20220428\_10...  
 Update **Generate** Move Drawing  
 Result  
 BT2\*\*305 BT2\*\*607 BT2\*\*628  
 1.1.1 1.1.2 1.1.3  
 BT2\*\*017 BT2\*\*686  
 1.1.4 1.1.5  
 BT2\*\*628 BT2\*\*017 BT2\*\*686  
 1.1.6 1.1.7 1.1.8  
 BT2\*\*305  
 1.1.9  
 BT2\*\*607  
 1.1.10  
 Cancel **Save**

### Creating a Physical Layout on the WebUI Manually

**Select the target PV plant on the home page.**

Plant name:  Plant name Region:   
 Grid connection date:  Start date  End date   
 Status  Plant Image  Plant Name   
   **407-GJC-TEST**

**Click the Layout tab.**

Overview **Layout** Report Management  
 station001  
 0.00 kWh Yield today

**Upload the physical layout.**

Physical Layout   
 You have not created a physical layout. Click + to create now.

**Drag module icons to the physical layout area. Add modules and adjust the angle based on the actual situation.**

Layout Configuration  
 Configuration  
 Select Device  
 Device List  
 Module  
 Quantity Rows 3 Columns 3  
 Tilt 20  
 Azimuth 45  
 Cancel Save  
 Inverter  
 Quantity 1  
 Installation mode  
 Horizontal Vertical  
 Cancel Save

**Select a device in the device list, drag the device to the corresponding icon position, and bind the device to the module.**

Configuration  
 Select Device  
 Device List  
 HV20B0031861 (HV20B003)  
 2102312LFHBTk49i  
 2102312LFHBTk39i  
 2102312LFHBTk49i  
 2102312LFHBTk39i  
 HV2\*\*861  
 BT2\*\*719  
 1.1.1

**(Optional) Adjust the physical layout.**

Right-click the module to adjust the setting.

Copy  
 Unbind  
 Delete

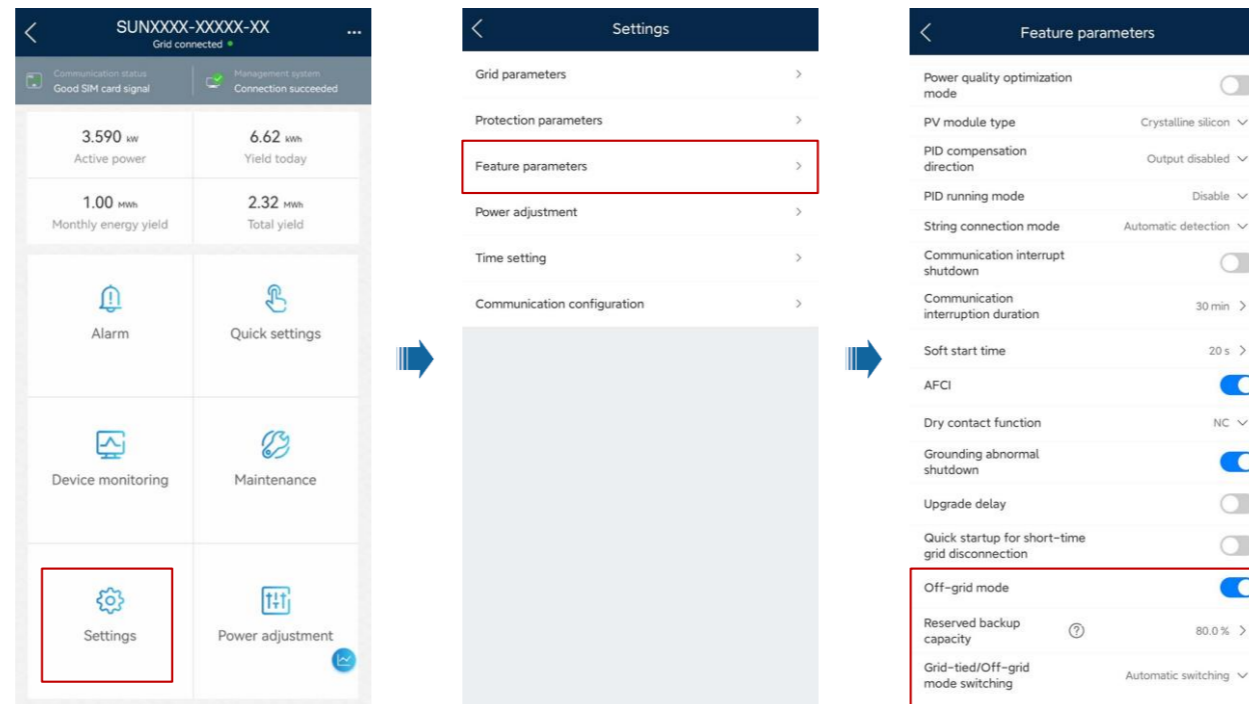
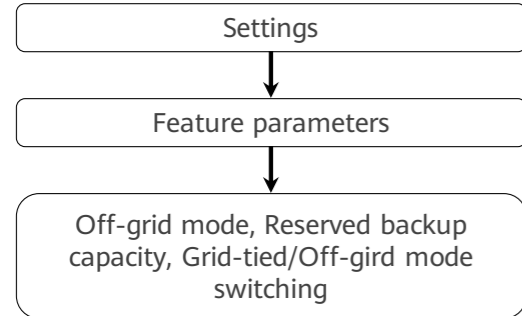
# FusionSolar Residential Smart PV Quick Guide

## (Single-phase PV+Storage Scenario and Smart Dongle Networking)



### 6 Off-Grid/Grid-tied Control Parameters

#### Enabling Off-Grid Mode



#### Setting Grid-Connection Point Control

