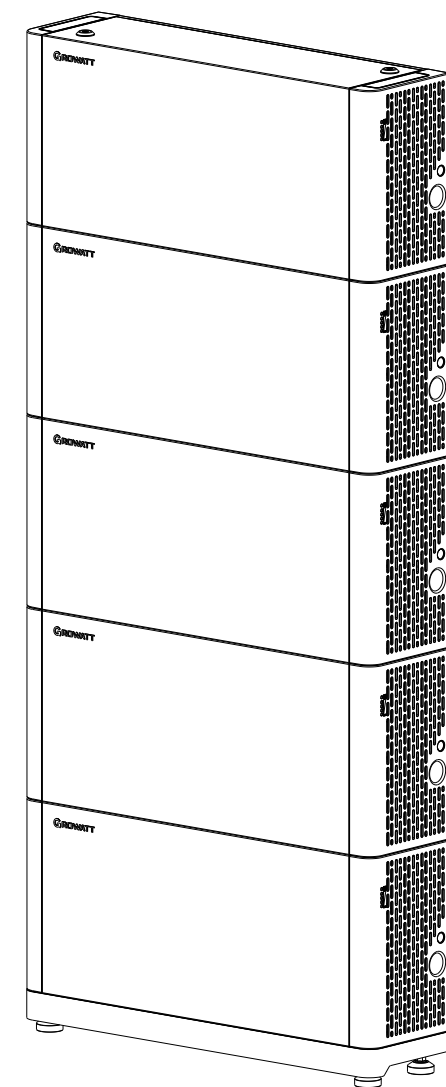
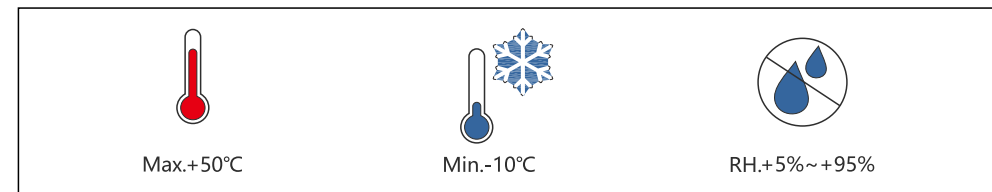


Quick Installation Guide

ALP 5.0L-E2

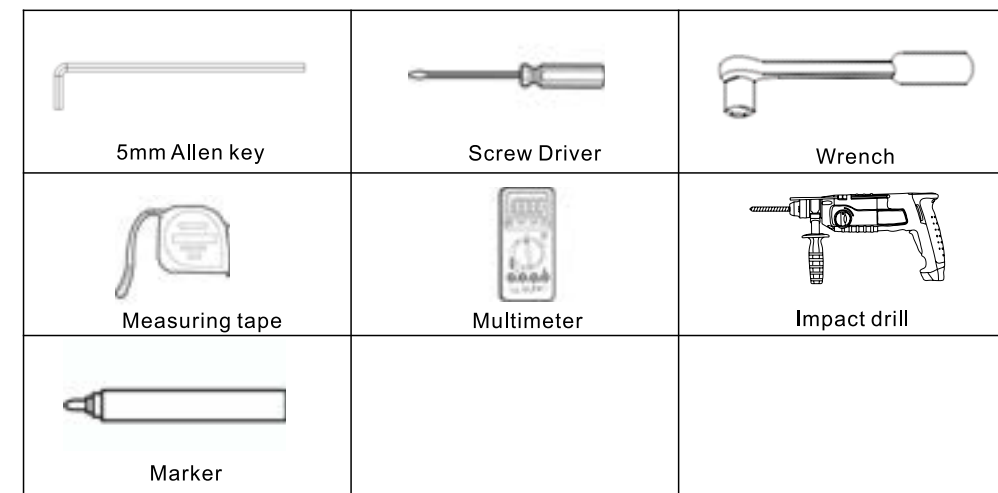


Installation environment

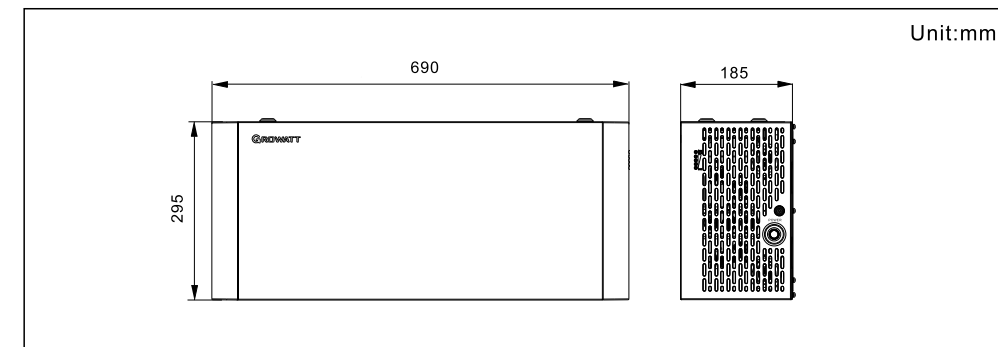


Installation tools

The following tools are required to install the PACK:

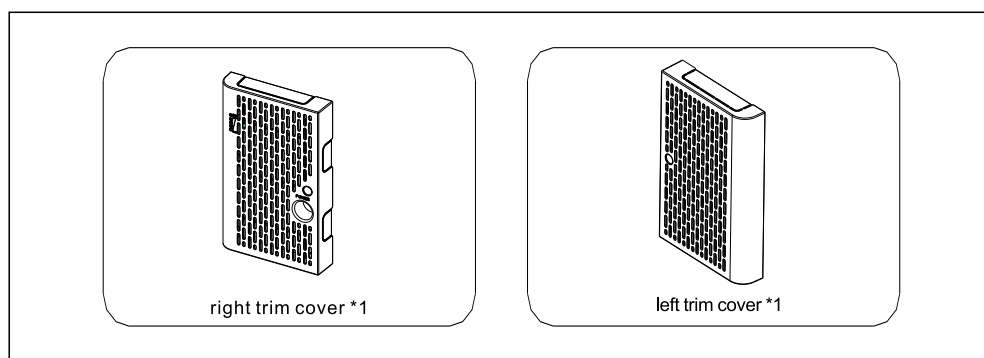
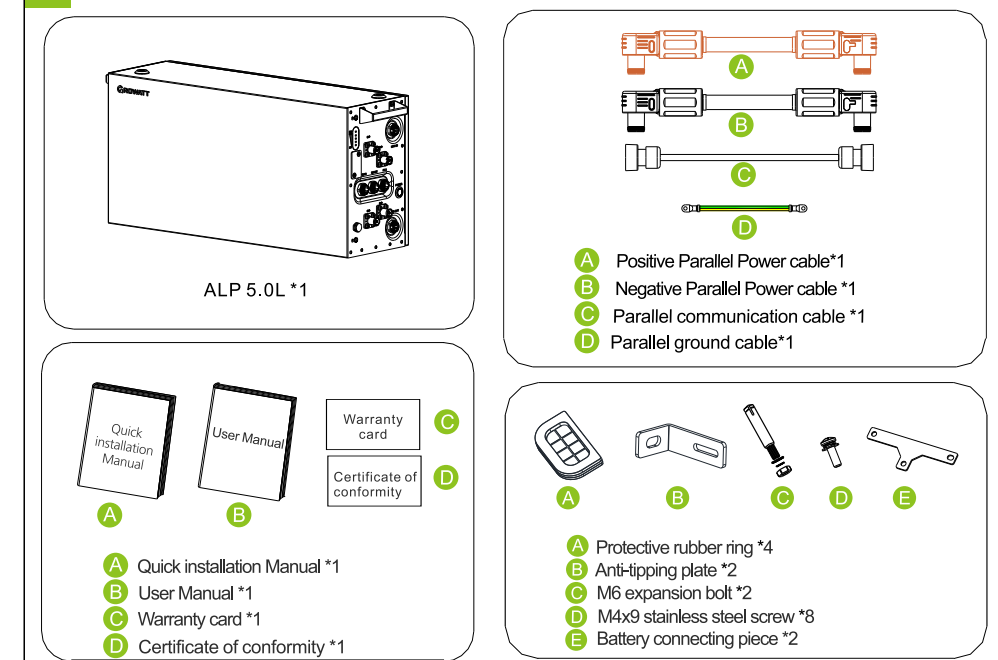


Dimensions

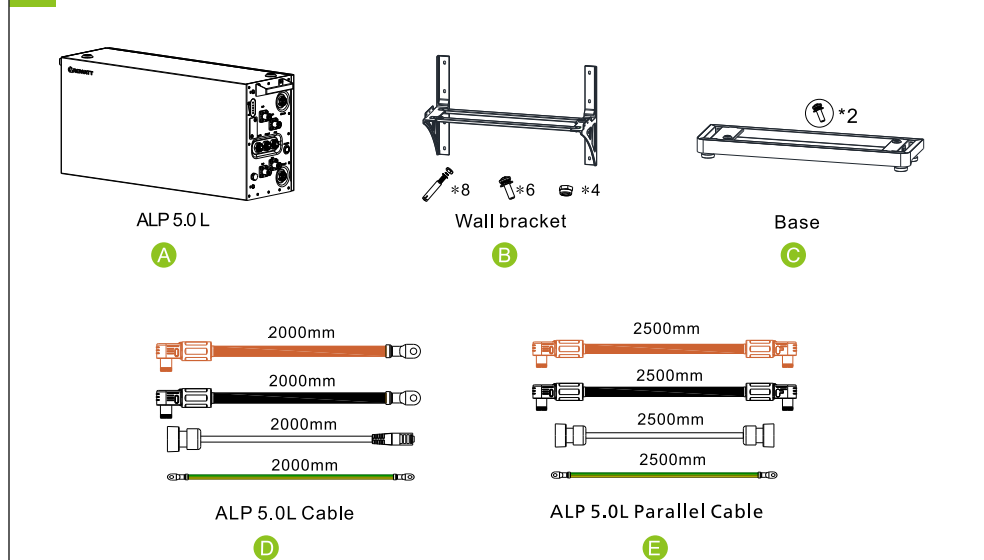


1. Check

1-1 Check the Packing List



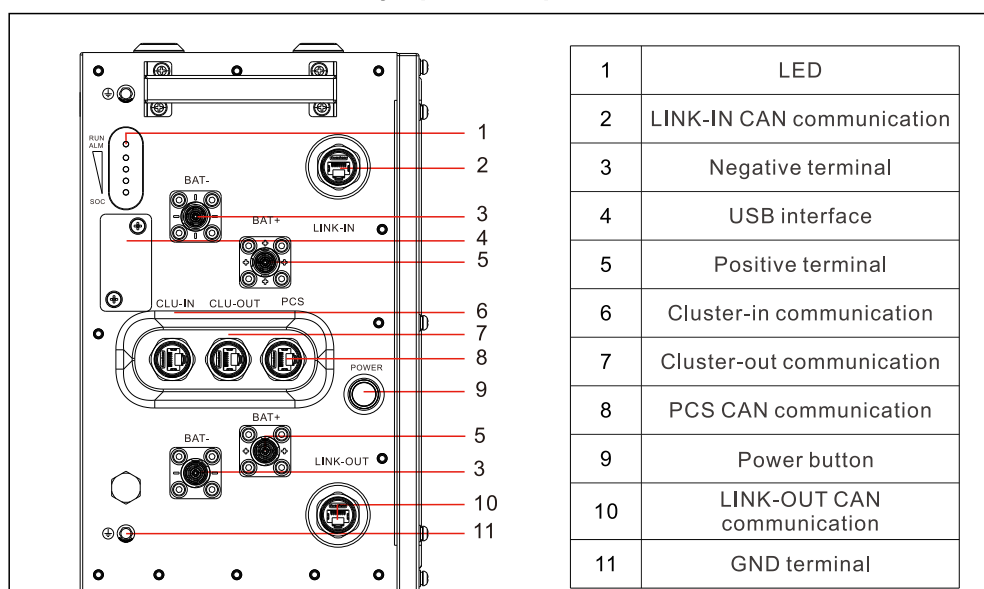
1-2 Check the accessories



Installation Method	Compound Mode
Standard wall-mounted installation	A*N+B+D
Standard floor-mounted installation	A*N+C+D
Wall-mounted battery system stacked in two lines	A*N+B*2+D+E
Floor-mounted battery system stacked in two lines	A*N+C*2+D+E

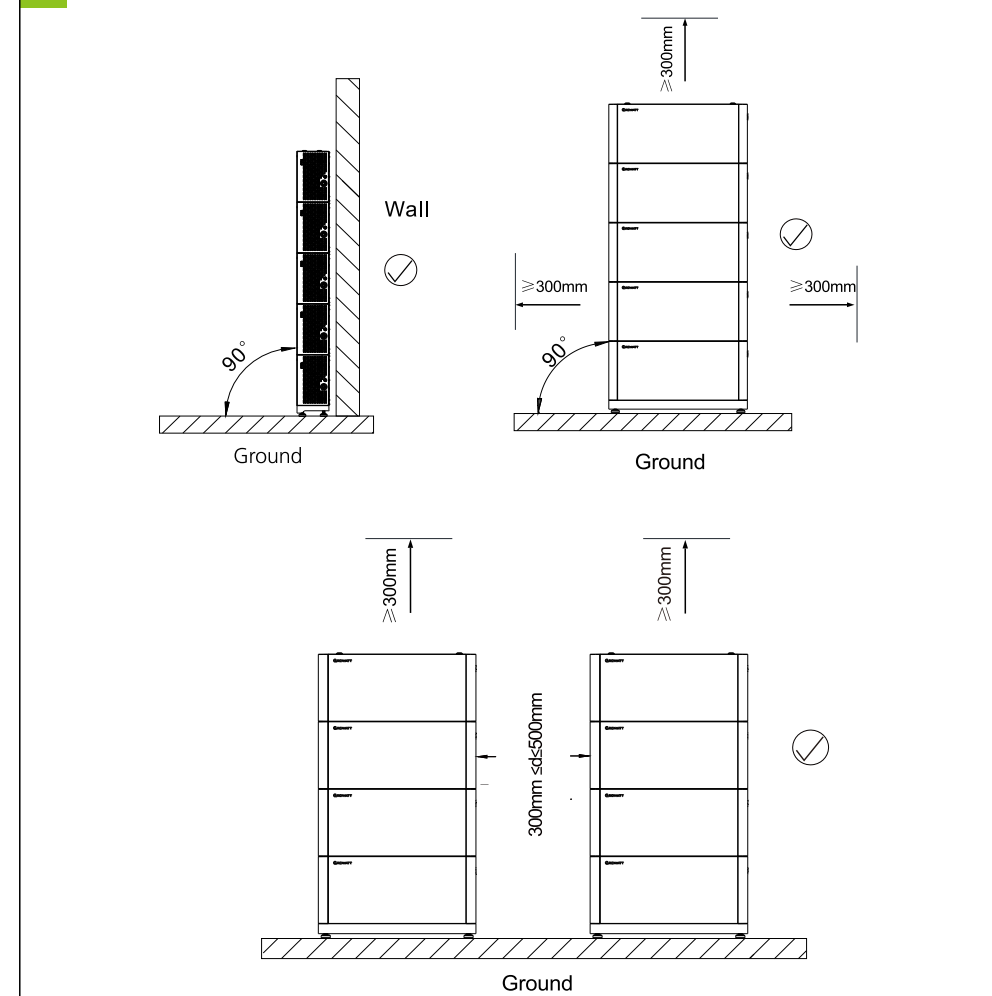
Note: "N" stands for the number of batteries.

2. Introduction to the battery operation panel



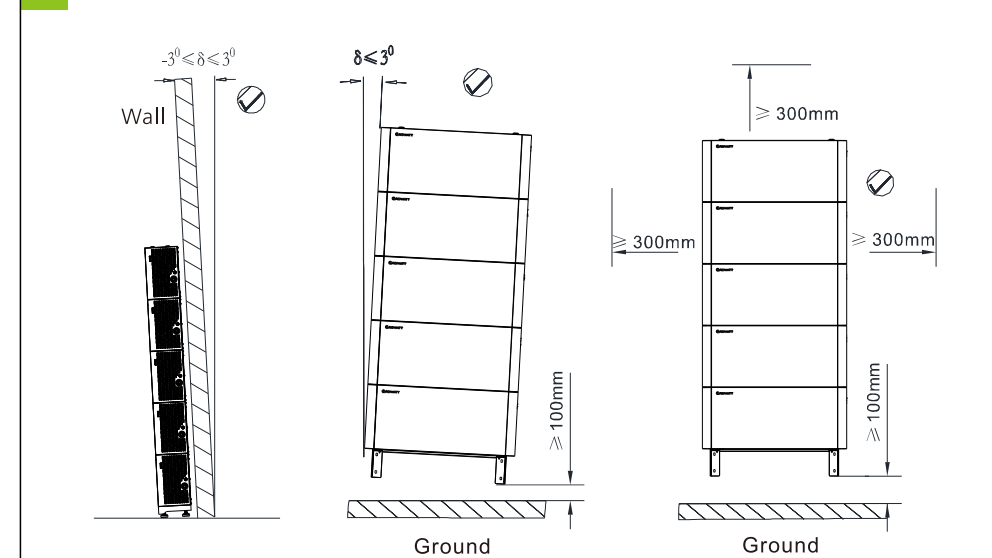
2. Basic installation requirements

3-1 Floor-mounted Installation



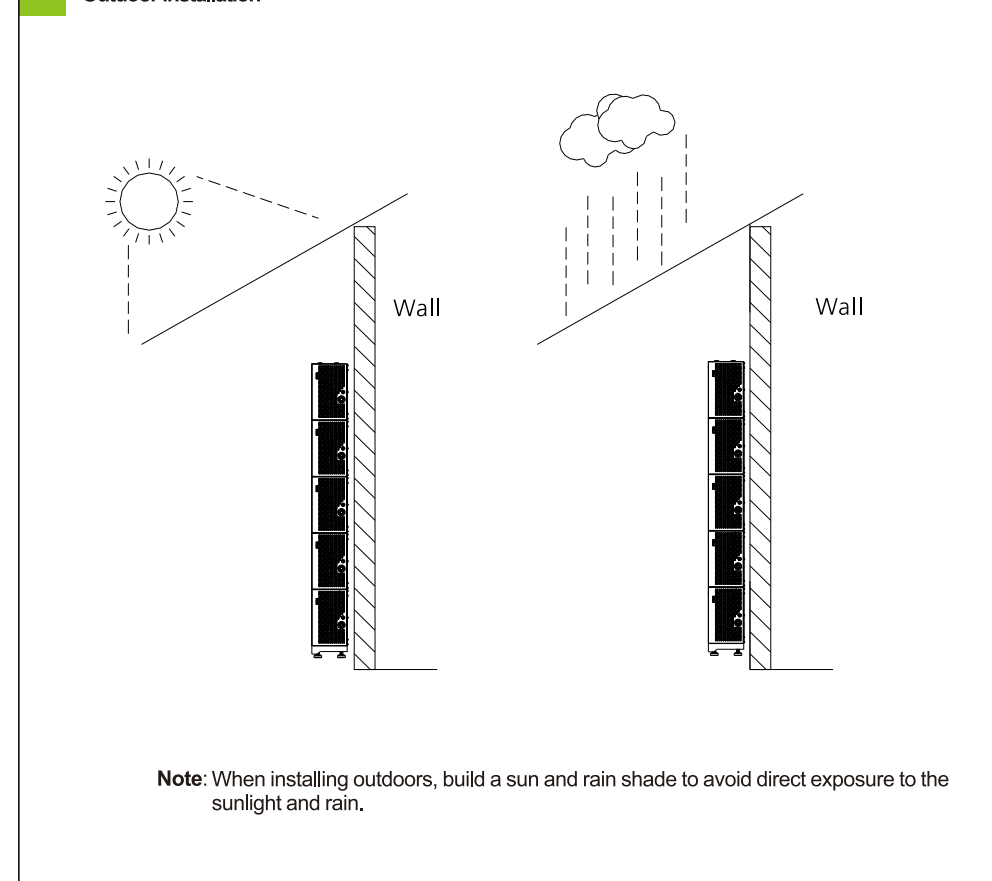
Note: Do not turn the PACK upside down, and ensure that the floor is level. A maximum of 5 battery packs can be stacked. If there are more than 5 of them, please install them in two lines.

3-2 Wall-mounted Installation



Note: The number of battery modules in wall-mounted installation should not exceed five. Ensure that load capacity of the wall exceeds 280kg.

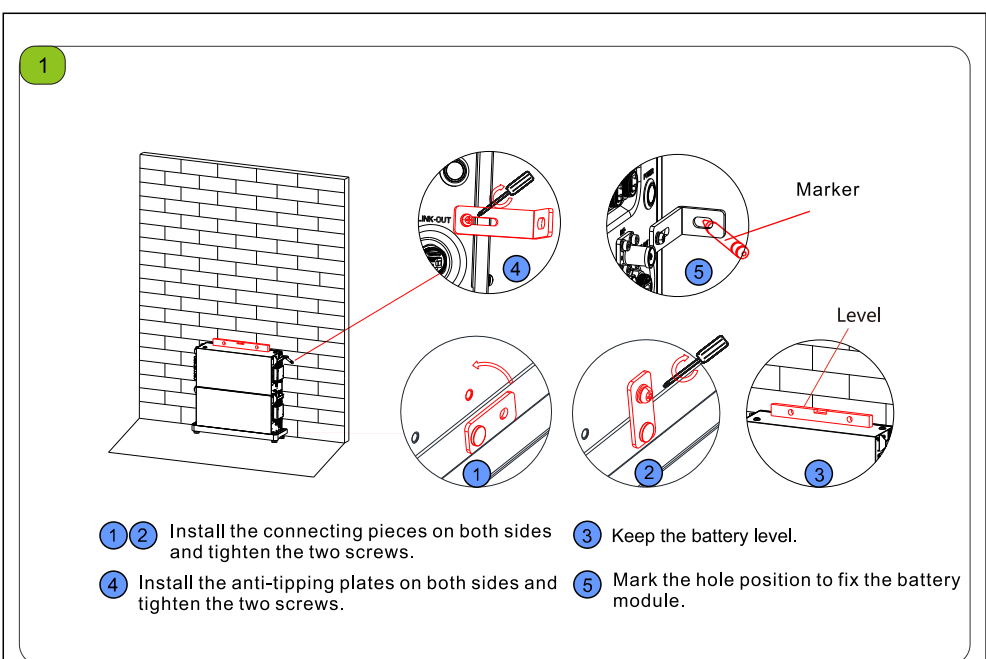
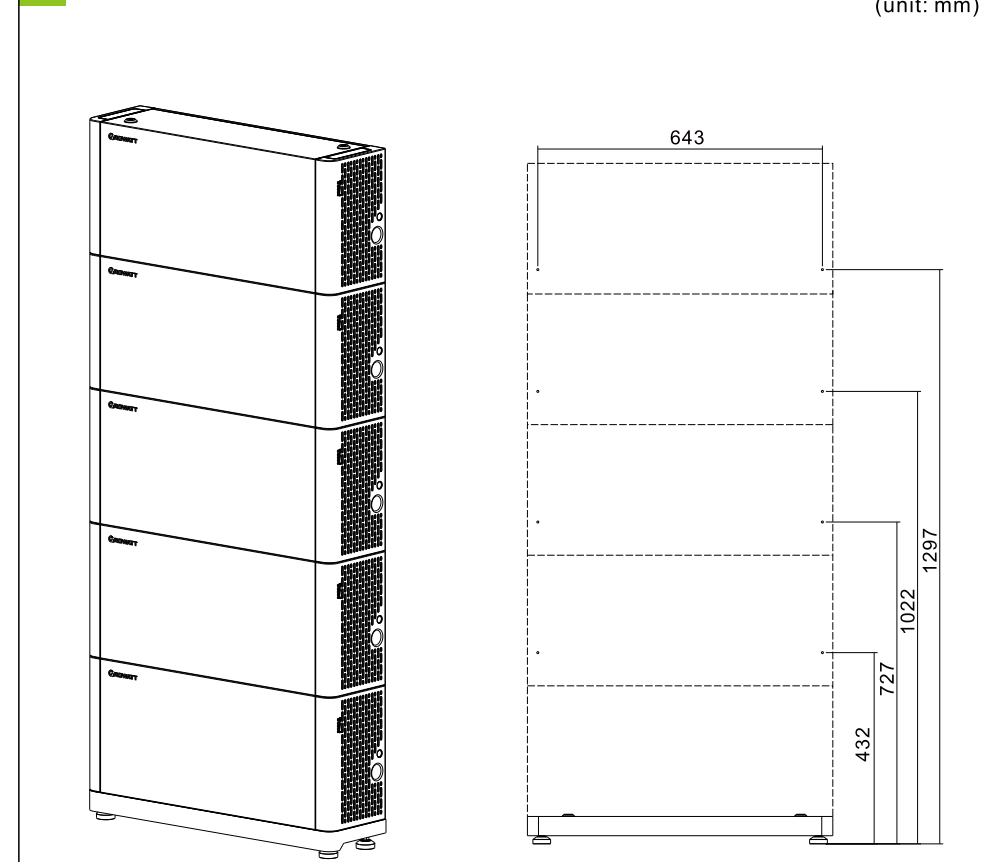
3-3 Outdoor installation



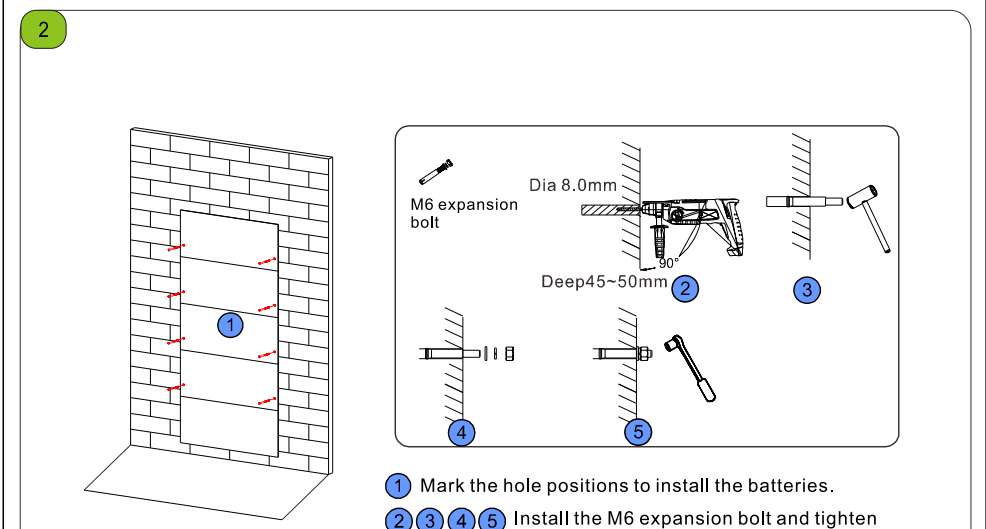
Note: When installing outdoors, build a sun and rain shade to avoid direct exposure to the sunlight and rain.

4. Installation

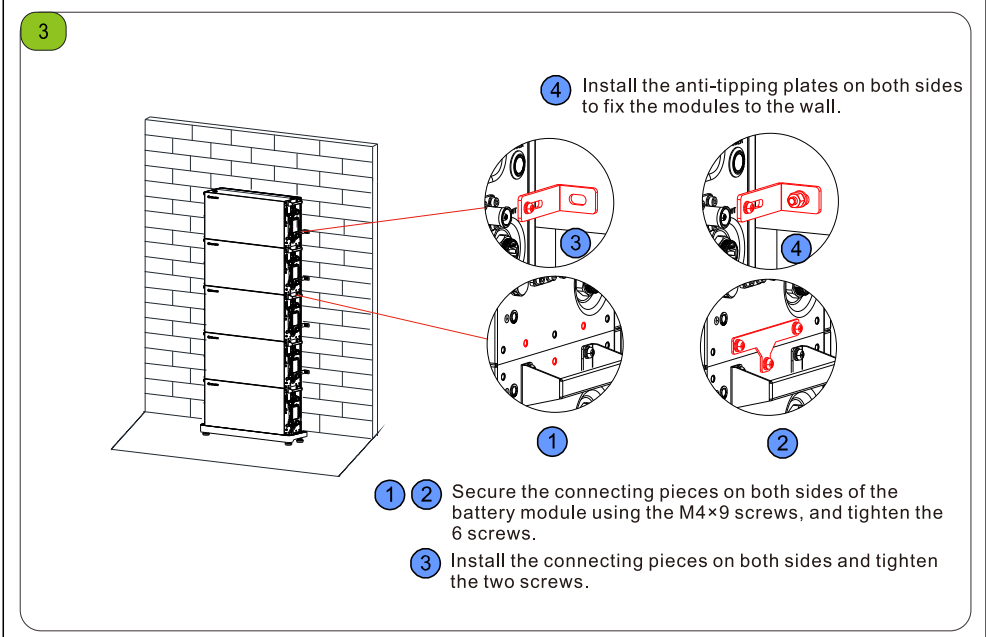
4-1 Hole dimensions



1 2 Install the connecting pieces on both sides and tighten the two screws.
3 Keep the battery level.
4 Install the anti-tipping plates on both sides and tighten the two screws.
5 Mark the hole position to fix the battery module.

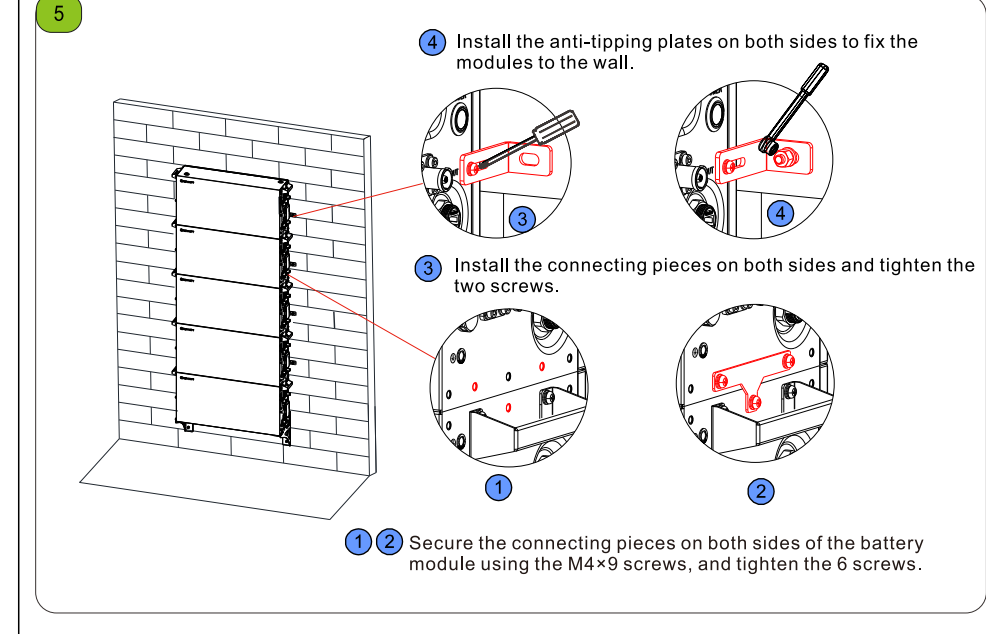
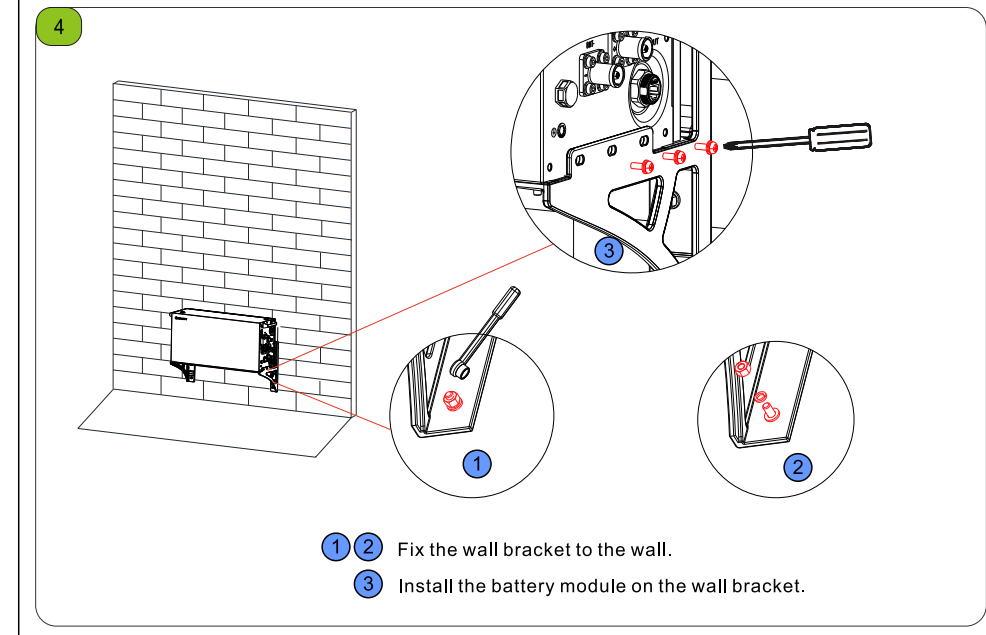
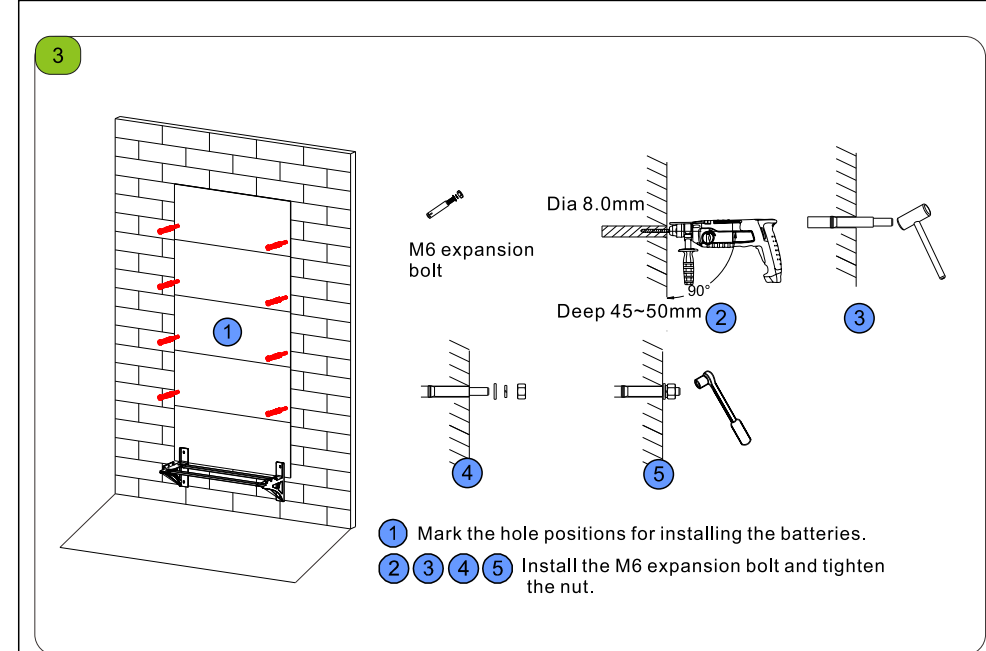
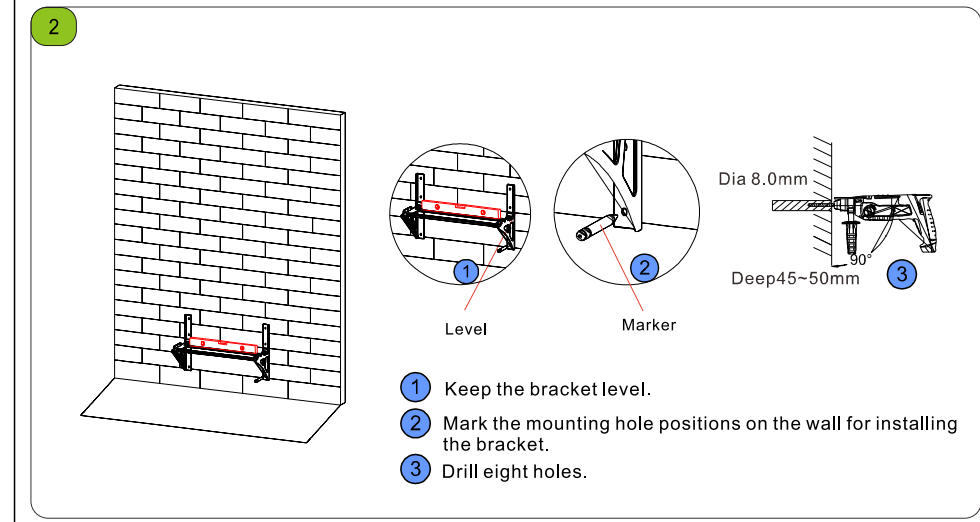
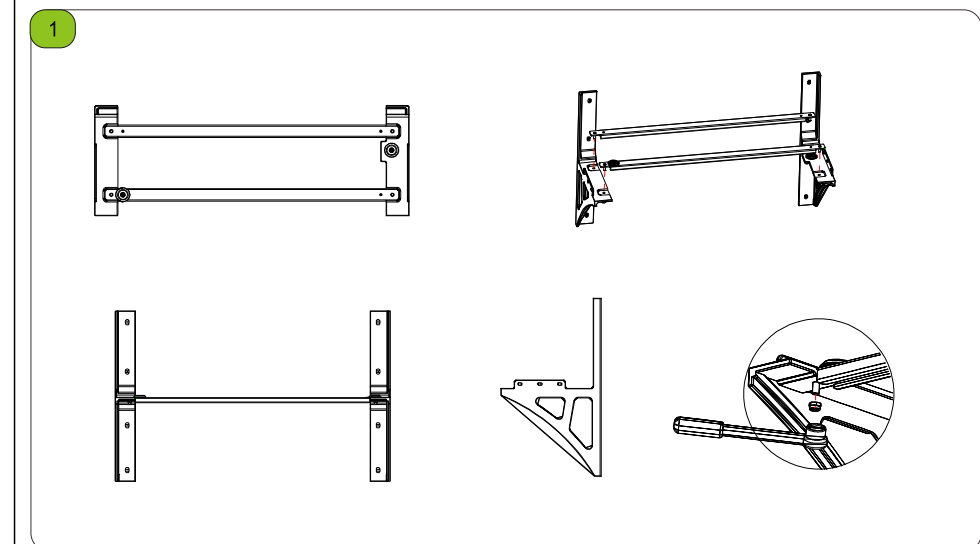
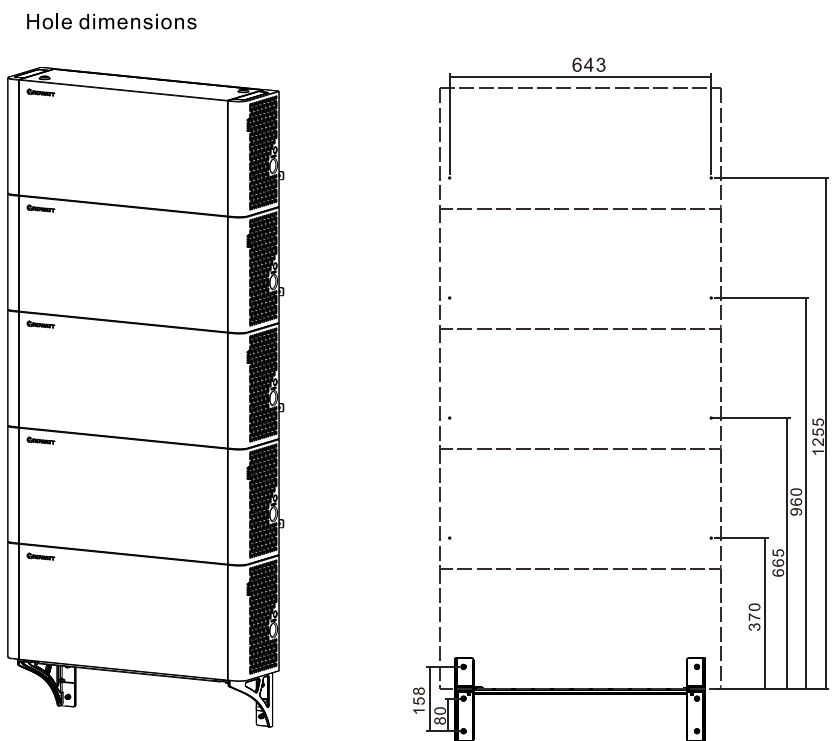


1 Mark the hole positions to install the batteries.
2 3 4 5 Install the M6 expansion bolt and tighten the nut.

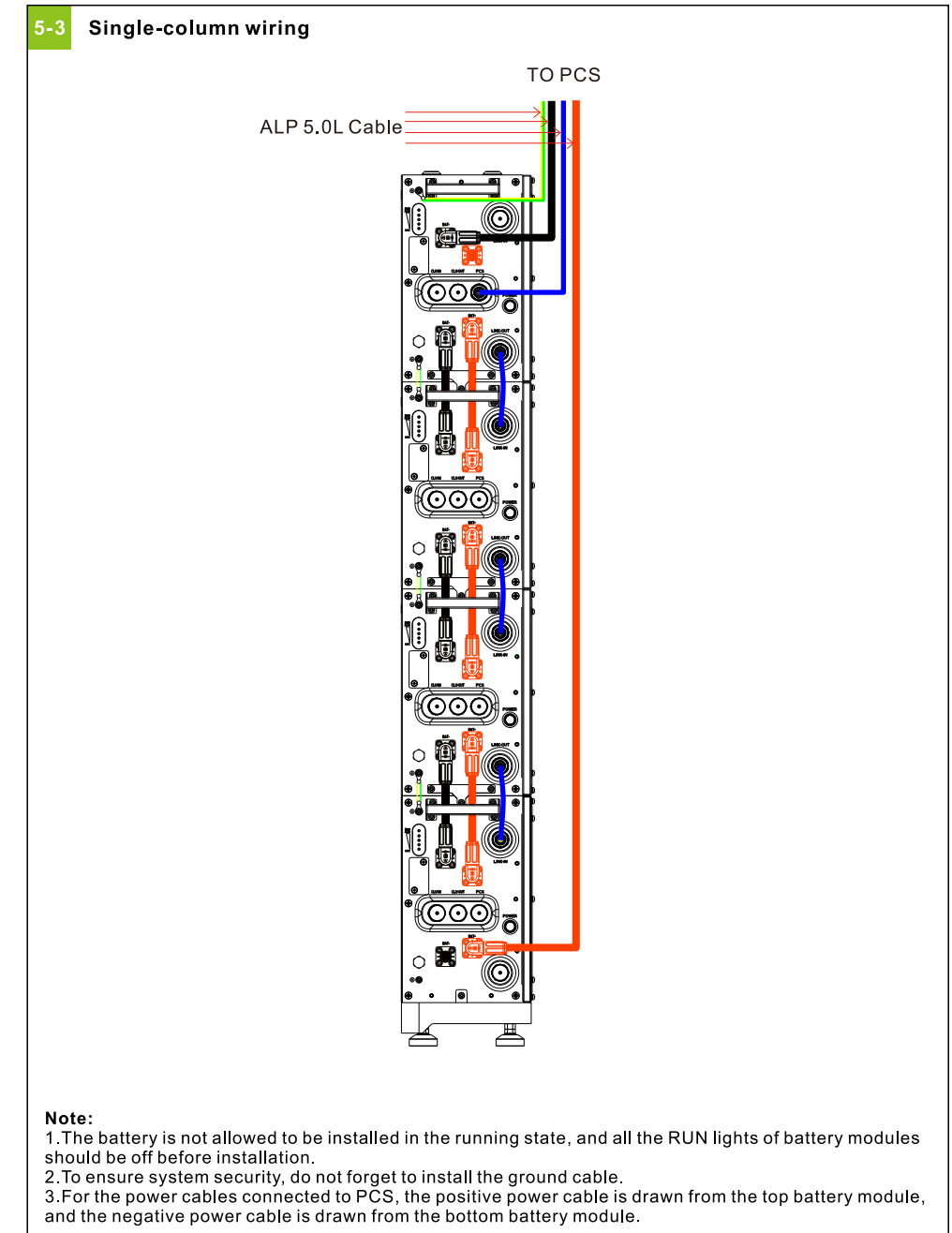
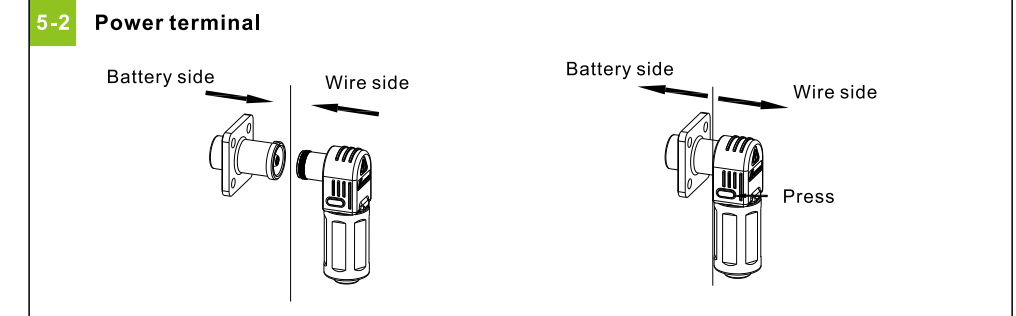
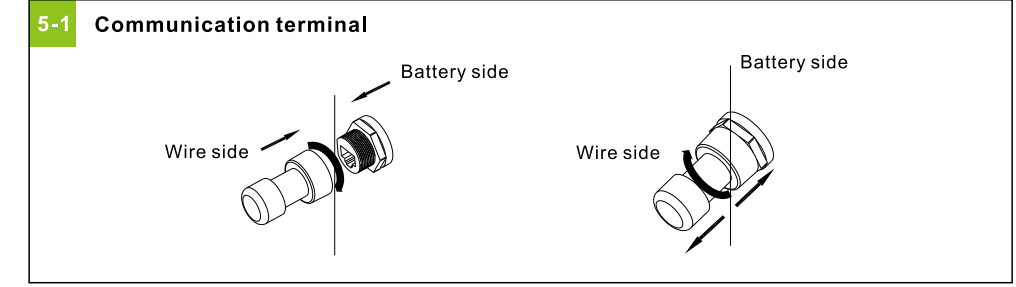


4 Install the anti-tipping plates on both sides to fix the modules to the wall.
1 2 Secure the connecting pieces on both sides of the battery module using the M4x9 screws, and tighten the 6 screws.
3 Install the connecting pieces on both sides and tighten the two screws.

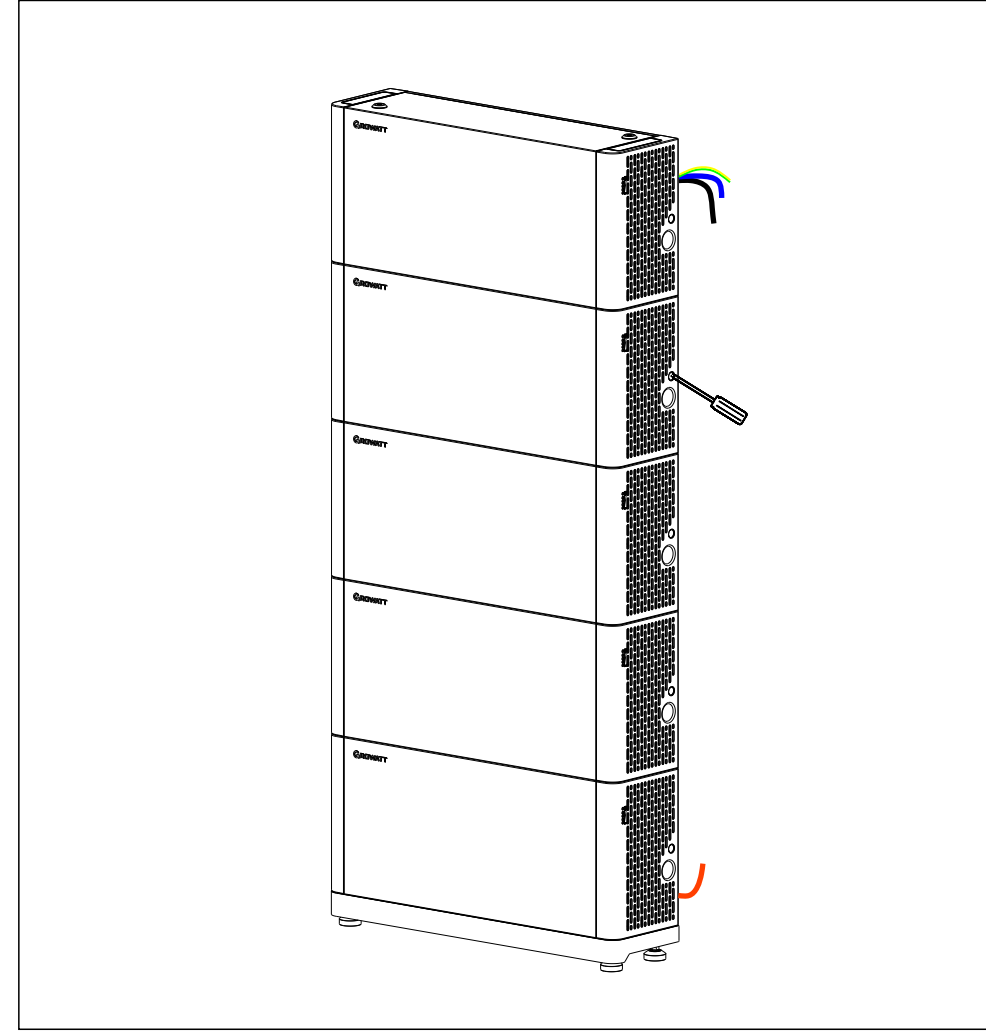
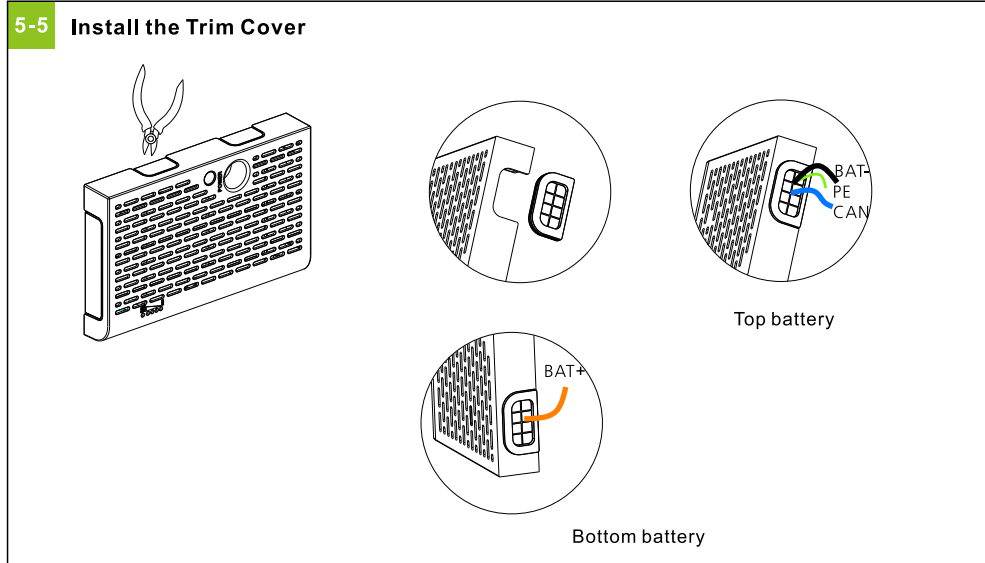
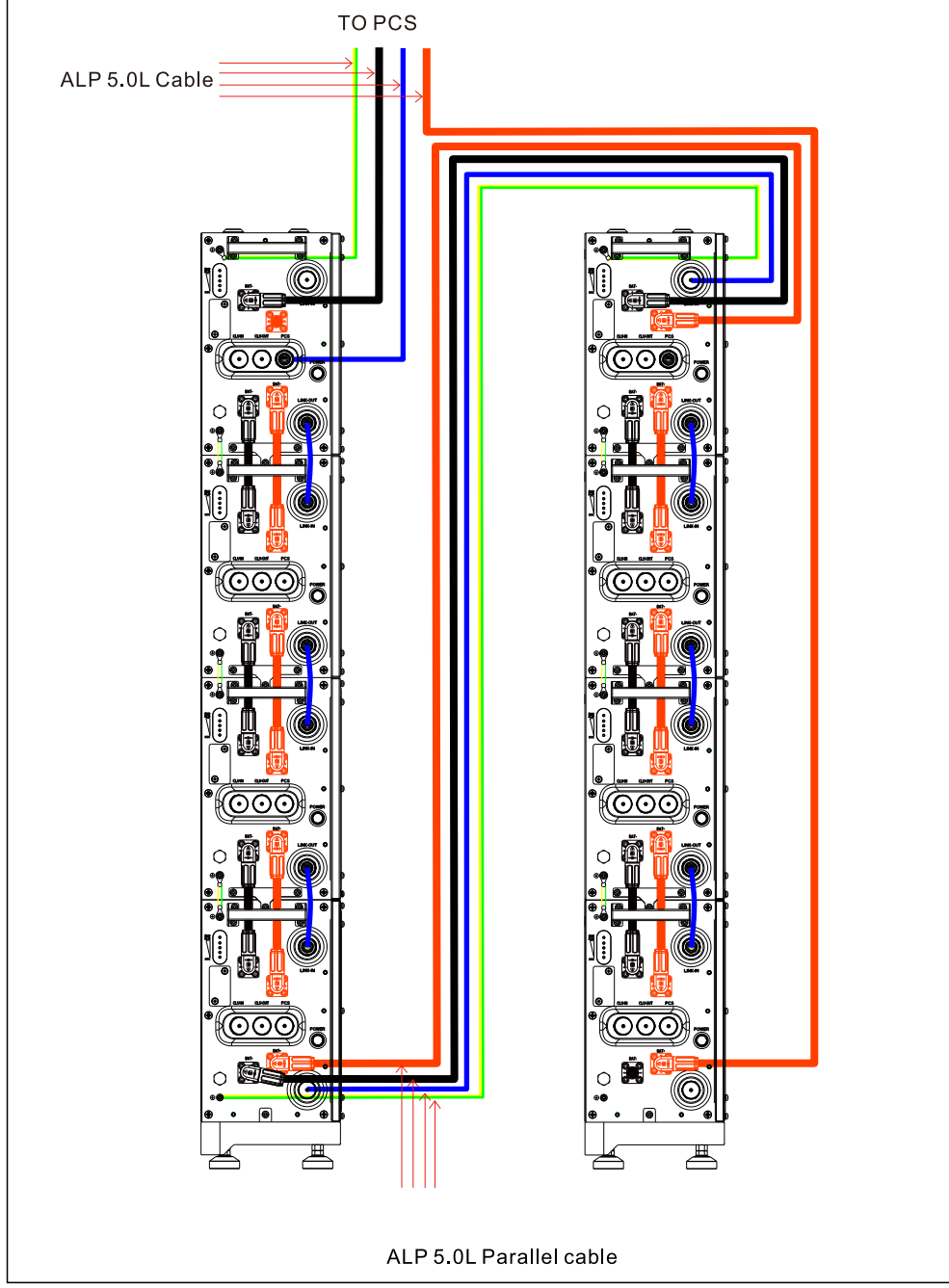
4-2 Wall-mounted Installation (unit: mm)



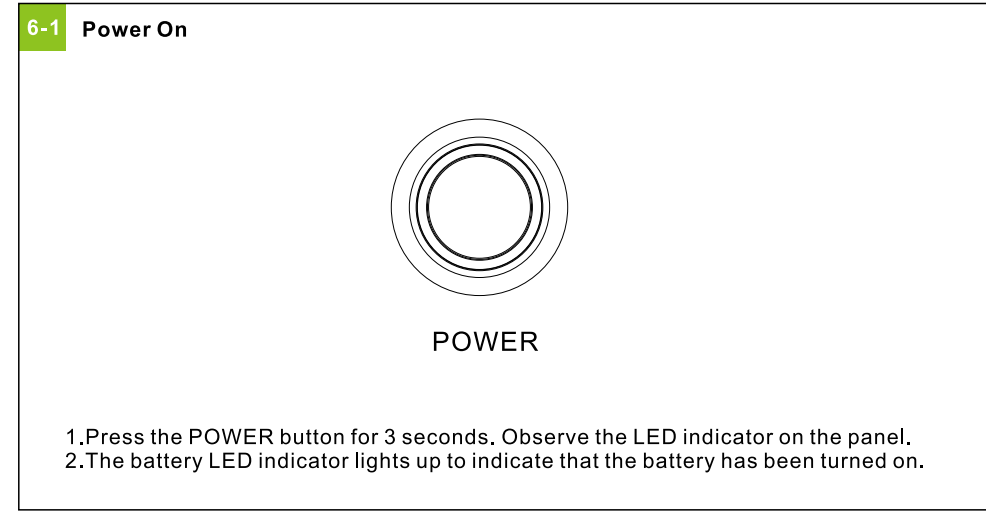
5. Electrical Connection



5-4 Two-column wiring

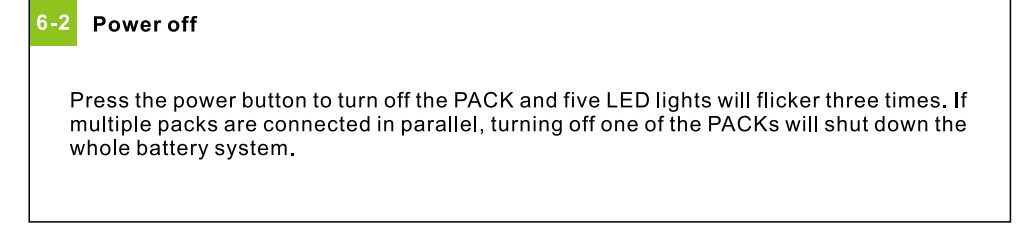


6. Power on and off the Battery



Power on the PACK by pressing the power button(t>3S)		
Serial	Procedures	Acceptation criteria
1	Connect the battery and PCS	Make sure the wiring harnesses are well connected
2	Switch on the breaker of the PACK	Make sure the breaker is ON
3	Press the POWER button for three to five seconds. Observe the LED indication on panel.	1.If both RUN/ALM and SOC lights are on normally, PACK is powered on successfully. 2.If RUN/ALM light turns red, there is a fault. Do not restart the equipment until the fault is rectified.

Power on the PACK by PCS		
1	Connect the battery and PCS	Make sure the wiring harnesses are well connected
2	Switch on the breaker of the PACK	Make sure the breaker is ON
3	Power on the PCS. PCS outputs a wake up signal of 5V or an output main circuit voltage signal of 46-58V	1.If both RUN/ALM and SOC lights turn on normal, PACK powers on successfully. 2.If RUN/ALM light turns red, there is a fault and you should solve it before powering on the PACK again.



7. Service and contact

Shenzhen Growatt New Energy Co., Ltd
 4-13/F, Building A, Sino-German (Europe) Industrial Park,
 Hangcheng Ave, Bao'an District, Shenzhen, China
 +86 755 2747 1942 service@ginverter.com
 www.ginverter.com

Download Manual

GR-UM-316-A-00