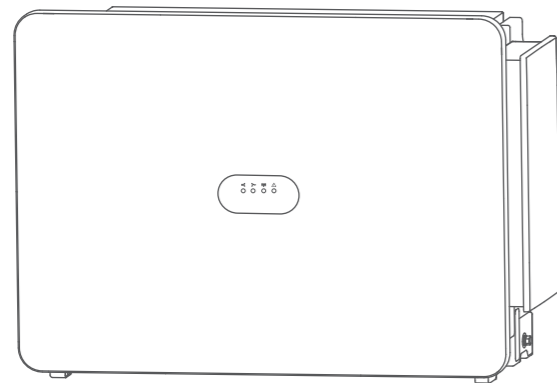


SUN2000

Quick Guide

快速指南

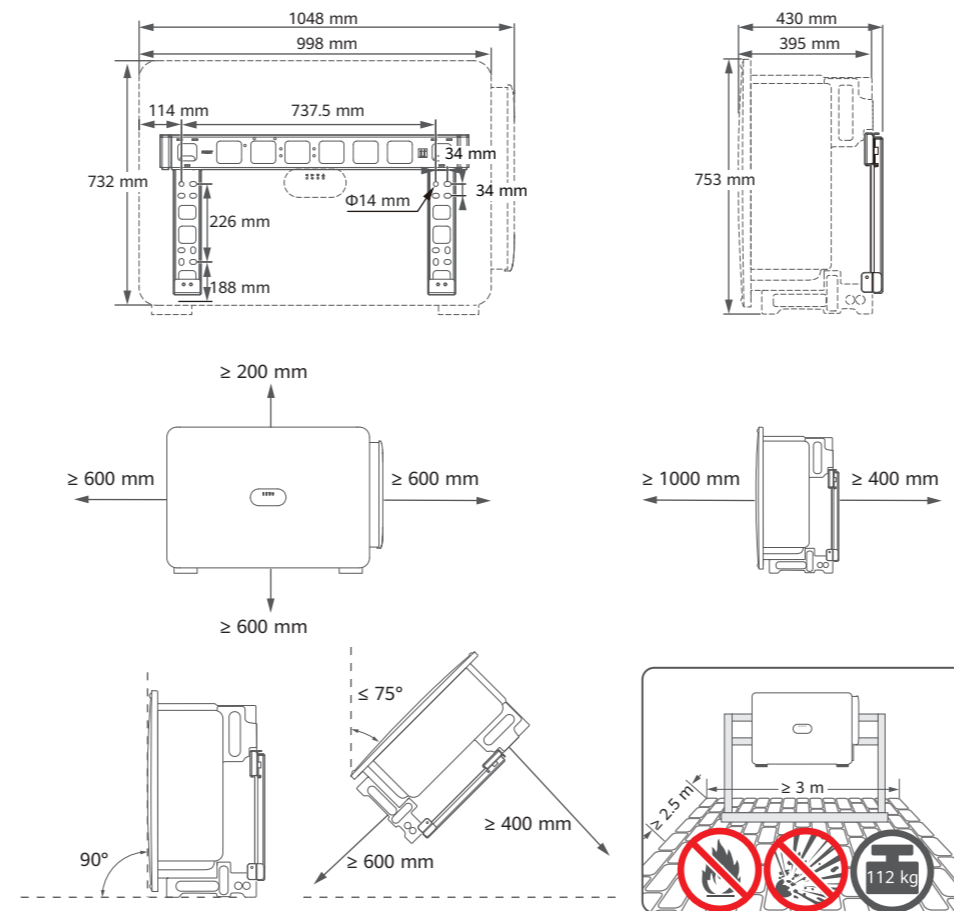
(250KTL-H3, 280KTL-H0, 300KTL-H0, 330KTL-H1, 330KTL-H2, 250KTL-H1)



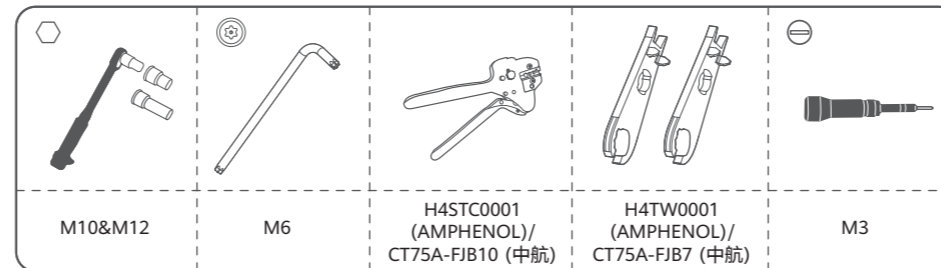
The information in this document is subject to change without notice. Every effort has been made in the preparation of this document to ensure accuracy of the contents, but all statements, information, and recommendations in this document do not constitute a warranty of any kind, express or implied. Before installing the device, read the user manual carefully to get familiar with product information and safety precautions. Huawei shall not be liable for any consequences caused by the violation of the storage, transportation, installation, and operation regulations specified in this document and the user manual.

由于产品版本升级或其他原因，本文档内容会不定期进行更新。除非另有约定，本文档仅作为使用指导，文档中的所有陈述、信息和建议不构成任何明示或暗示的担保。安装设备前请仔细阅读用户手册，了解产品信息及安全注意事项。未按照本文档与用户手册的内容存储、搬运、安装和使用设备而导致设备损坏，不在设备质保范围内。

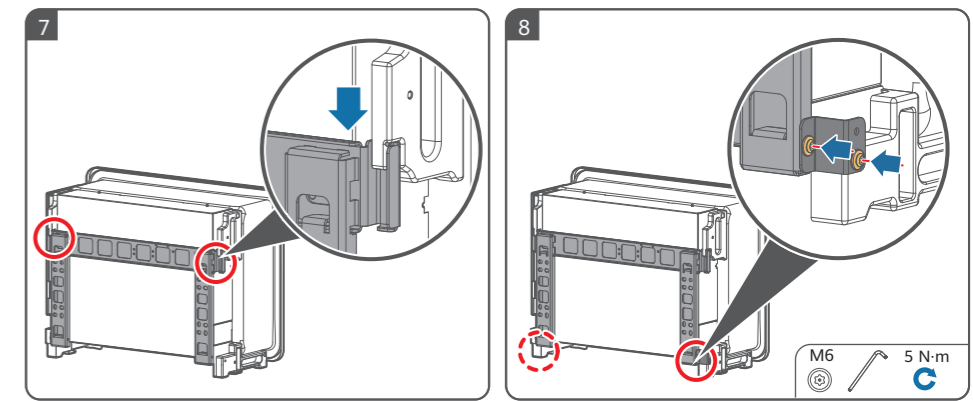
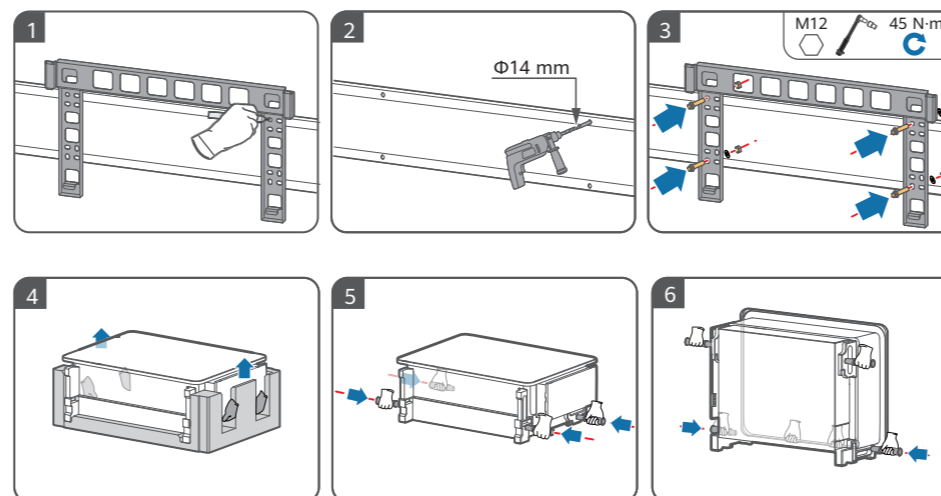
Space Requirements 空间要求



Preparing Tools 准备工具

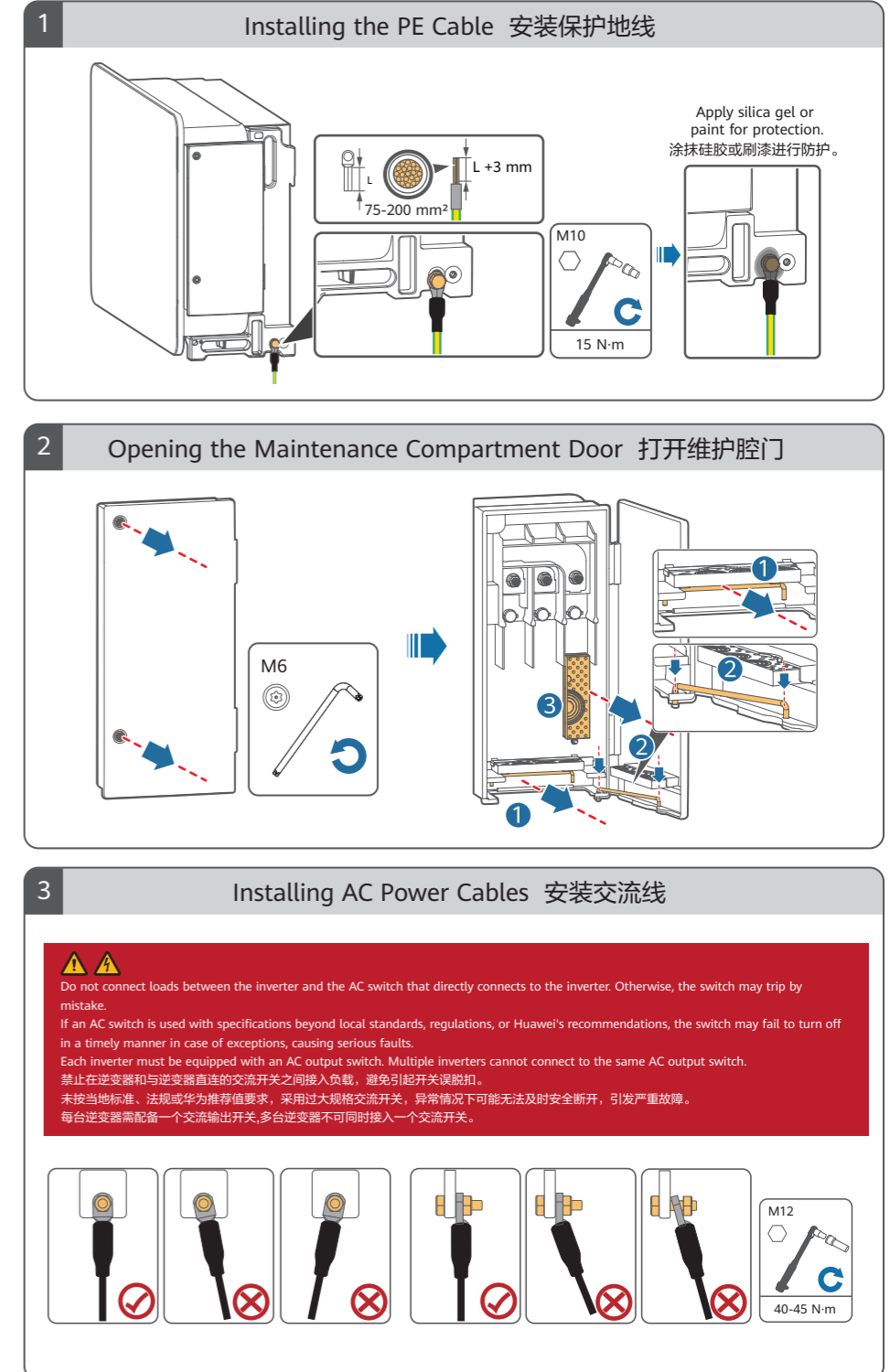


Installing the Device 安装设备

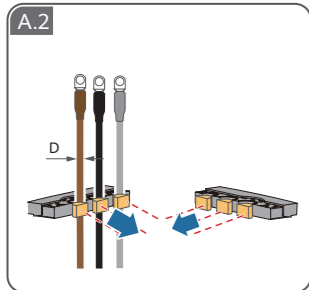
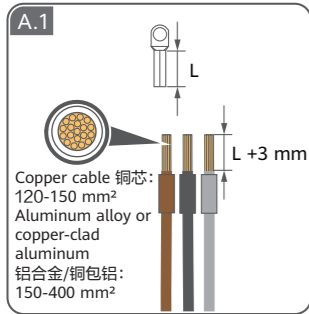


Installing Cables 安装线缆

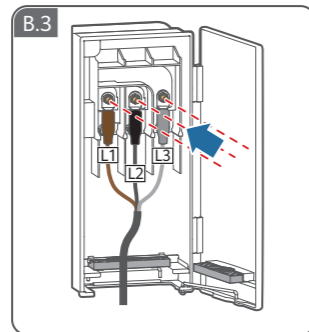
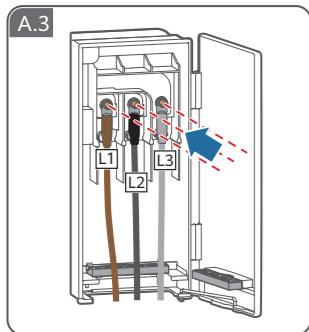
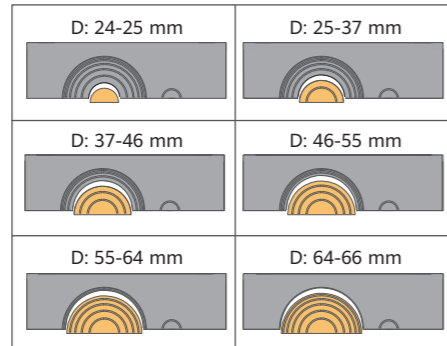
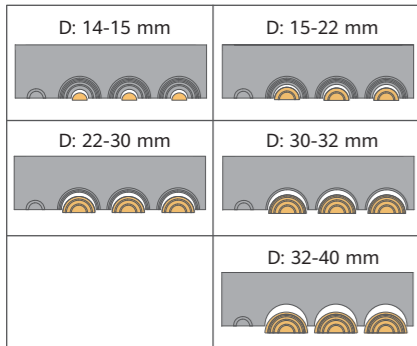
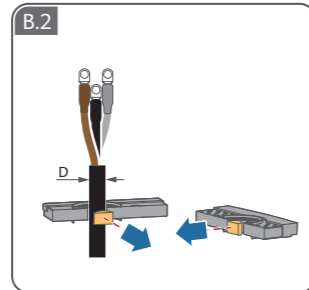
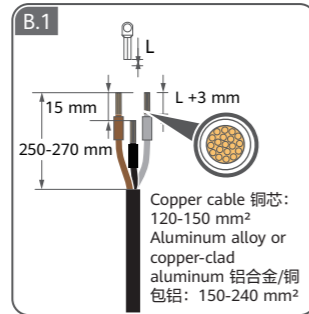
⚠️ ⚠️ Do not install cables with power on. 禁止带电安装线缆。



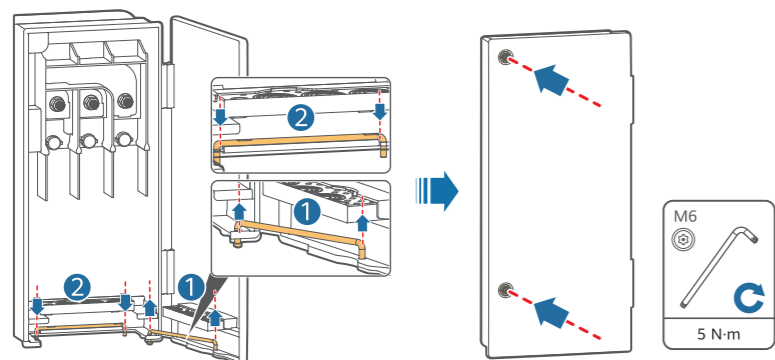
Single-core cable 单芯线



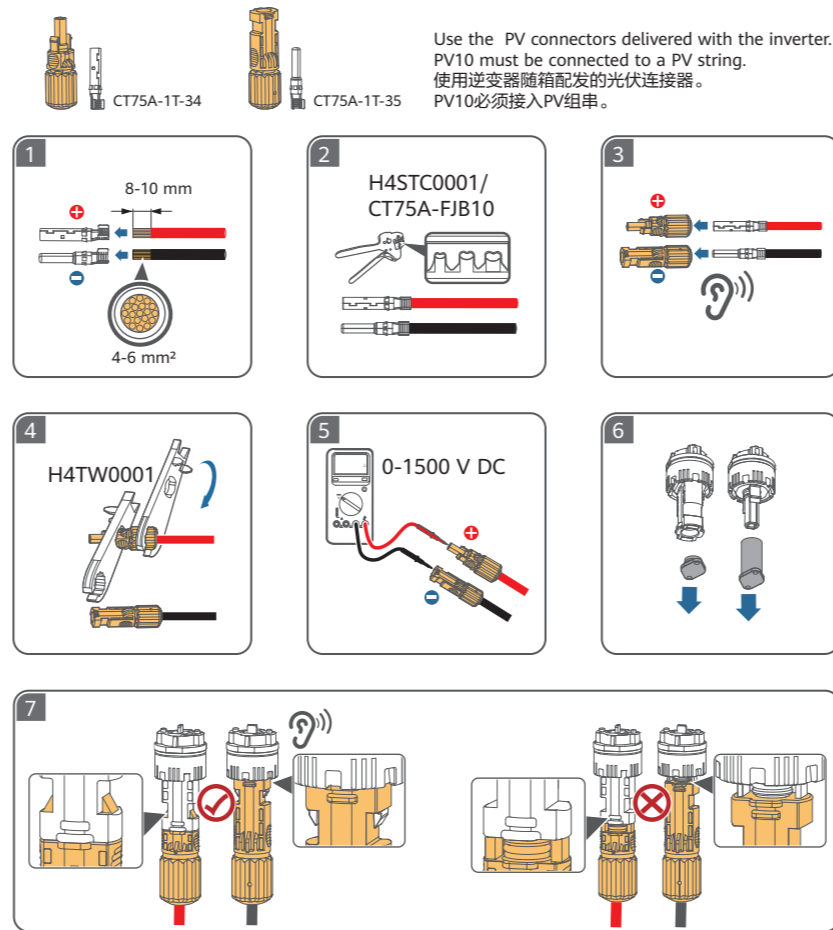
Multi-core cable 多芯线



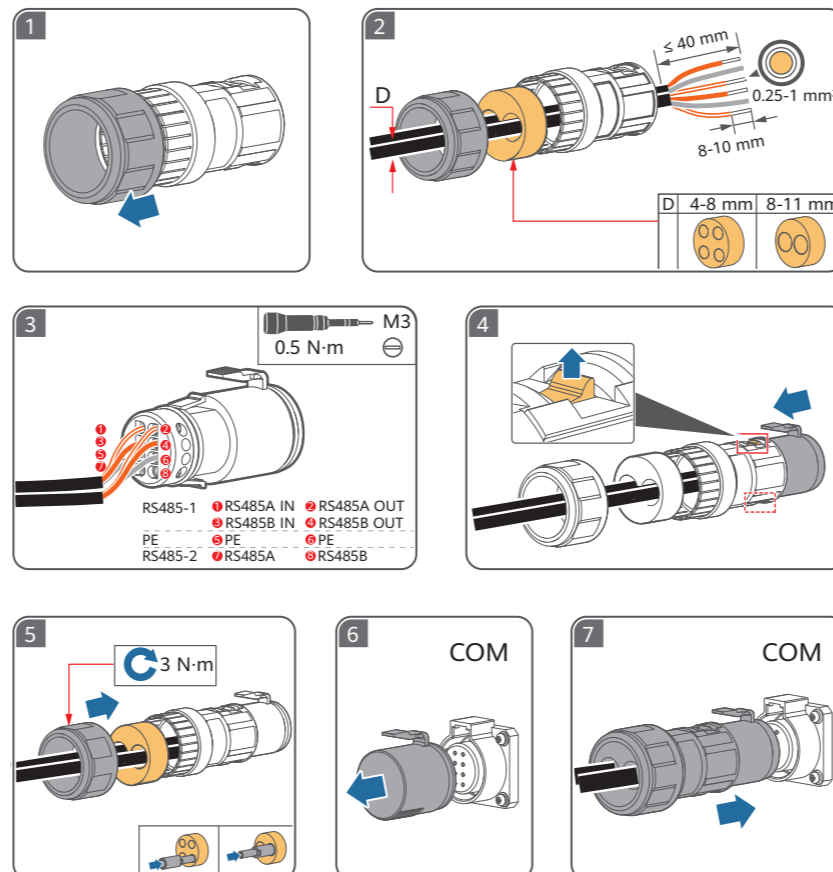
4 Closing the Maintenance Compartment Door 关闭维护腔门



5 Installing DC Input Power Cables 安装直流输入线



6 (Optional) Installing Communications Cables (可选) 安装通信线



Powering On the System 系统上电

